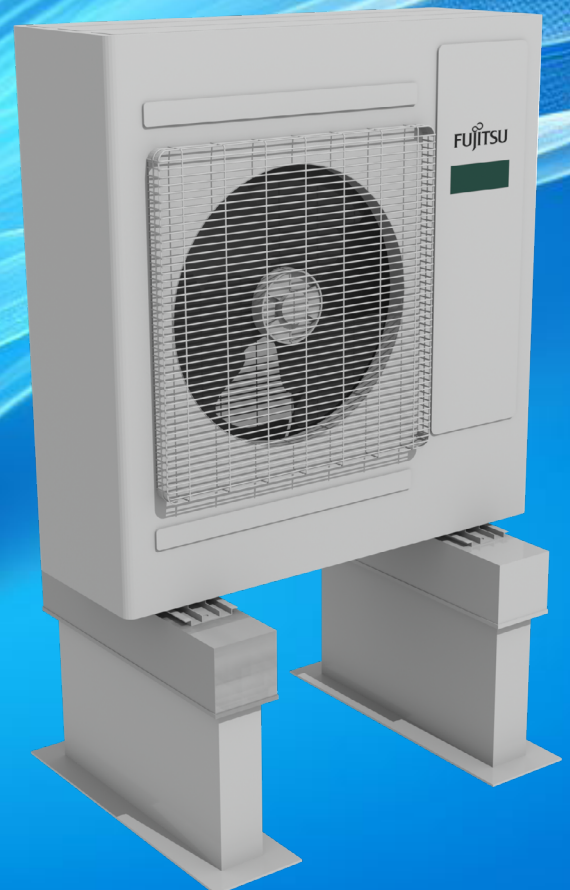
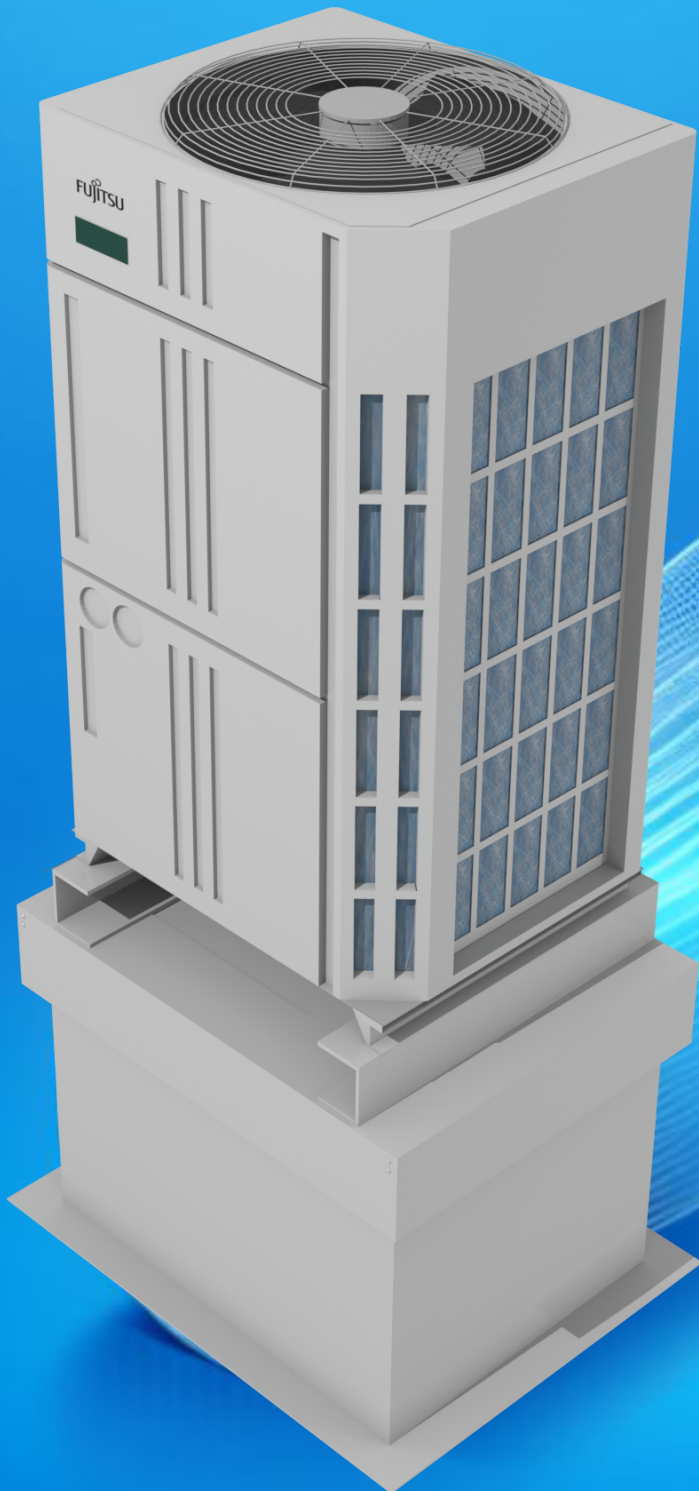


# Buckley Condenser Platforms, Supports and Pipe Portals

For Commercial VRF and Mini-Split Products

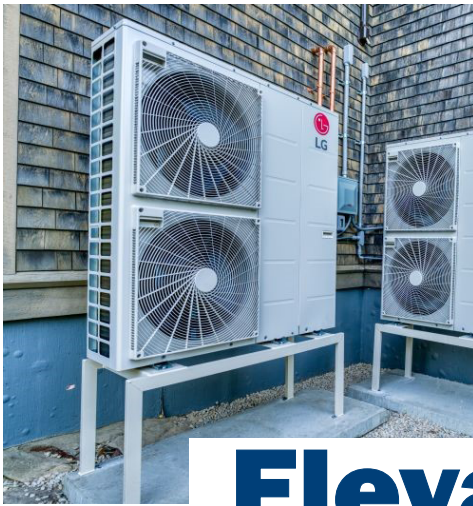
**FUJITSU**  
AIRSTAGE



**Buckley Associates**

[buckleyonline.com](http://buckleyonline.com)

January 2025

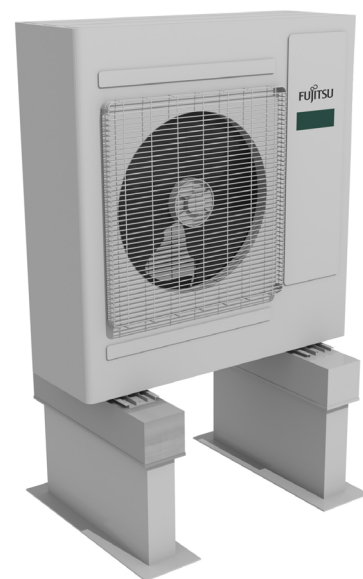
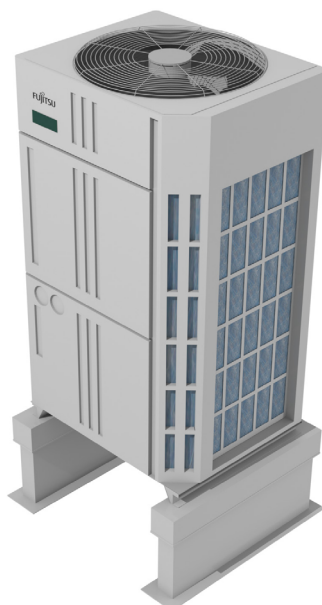
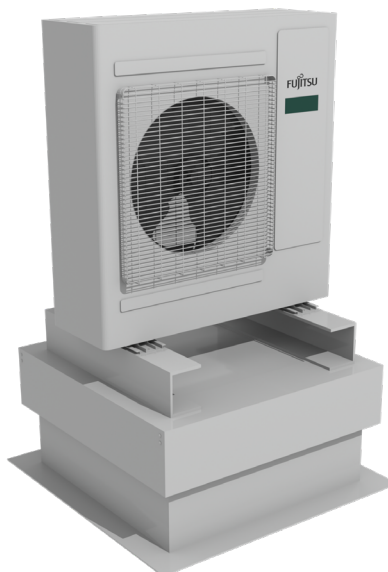
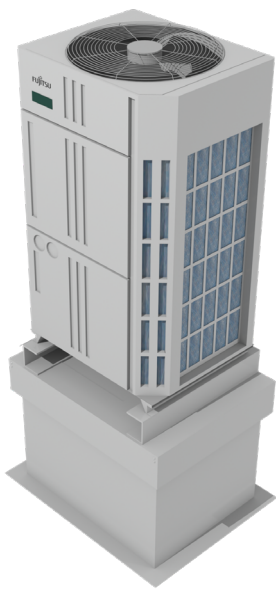


# Elevate Your Stand



## Features and Benefits

- ✓ Pre-Assembled for Quick and Easy Installation
- ✓ Compatible with All Brands and Manufacturers
- ✓ Cost Competitive

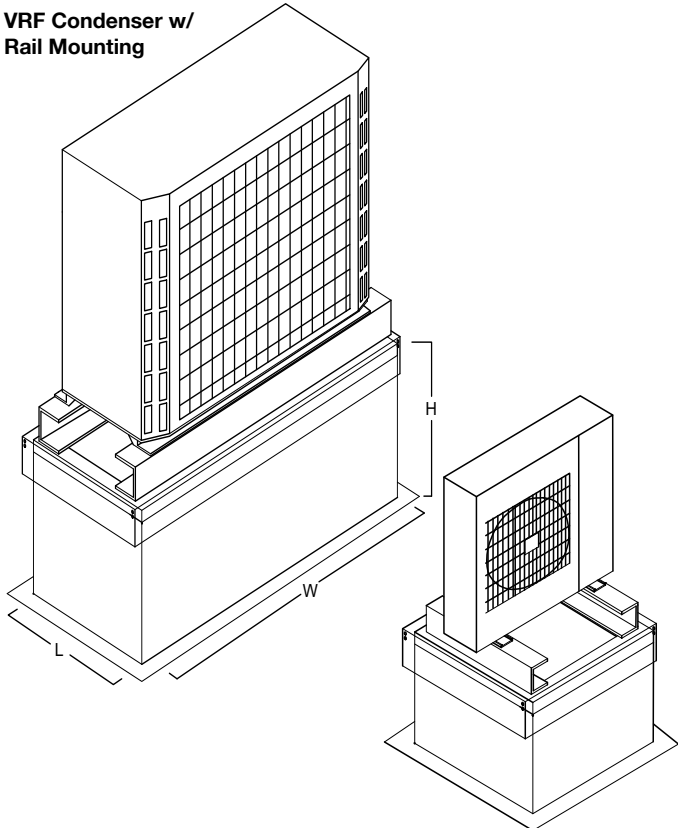


**Buckstrut Condenser Platform**

**Buckstrut Condenser Support**

## Buckstrut Condenser Platform Model BSP

VRF Condenser w/  
Rail Mounting



Mini-Split Condensers or  
Foot-Mounted Units

### Standard Construction

- + Pre-Assembled
- + 18 Gauge Galvanized Steel
- + 18" Height
- + 1" Thick, 3 lb. Rigid Fiberglass Insulation
- + Wood Nailer w/ Insulated Cap
- + 2" Flange
- + Continuous Welds on Seams
- + (2) 14-Gauge Buckstrut Mounting Rails with Mounting Hardware

### Sizing Guidelines

#### Rail Mounted Commercial VRF:

Condenser Width x Condenser Length

#### Mini Splits or Foot-Mounted Units:

Condenser Width x Condenser Length + 3"

#### Height:

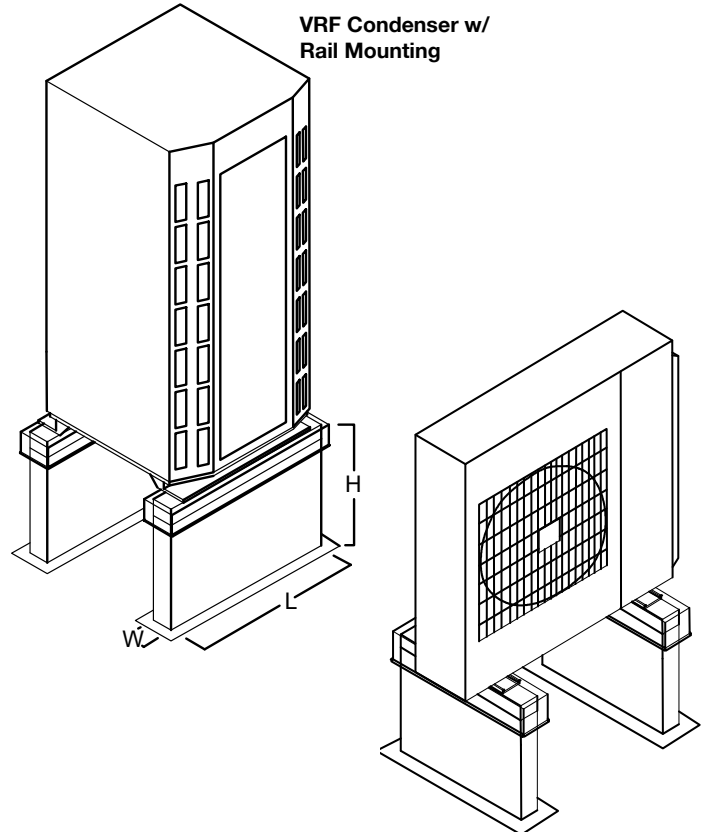
Add 10" to Height if secured directly to the metal roof deck and there is 10" of roof insulation

### Options

- + Aluminum Construction
- + Pitched
- + Custom Sizes and Heights

## Buckstrut Condenser Support Model BSS

VRF Condenser w/  
Rail Mounting



Mini-Split Condensers or  
Foot-Mounted Units

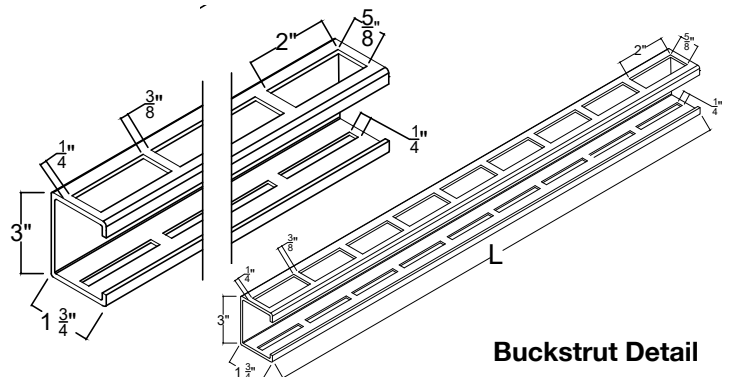
### Standard Construction

- + Pre-Assembled
- + 18 Gauge Galvanized Steel
- + 18" Height, 4" Width
- + Wood Nailer w/ Cap
- + 2" Flange
- + Continuous Welds on Seams
- + (2) 14-Gauge Buckstrut Mounting Rails with Mounting Hardware

### Sizing Guidelines

#### Height

Add 10" to Height if secured directly to the metal roof deck and there is 10" of roof insulation



Buckstrut Detail

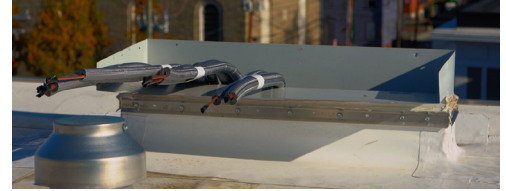
# Pre-Engineered Pipe Portals

## Features and Benefits

- ✓ Eliminate Custom, Field Built Assemblies
- ✓ Pre-Assembled for Quick and Easy Installation
- ✓ Piping Penetrations Field or Factory Cut



**Replace Field Built Assemblies**



## Hooded Pipe Portal Model HPP

### Standard Construction

- + 18 Gauge Galvanized Steel
- + 2" Flange
- + Continuous Welds on Seams
- + 1" Thick, 3 lb. Rigid Fiberglass Insulation
- + Removable Roof Hood, Broken and Insulated
- + Field Cut Holes for Piping Penetrations

### Options

- + Aluminum Construction
- + Custom Sizes and Heights
- + Extended Hood, 2-Sided Hood
- + Custom Knockouts w/ EPDM Nipples for Piping Penetrations

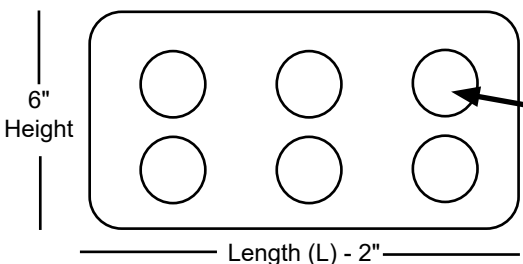
### Single Hood - Standard Sizes

- + 24" Height
- + 8x8, 10x10, 12x12, 14x14, 16x16, 18x18, 20x20, 22x22, 24x24

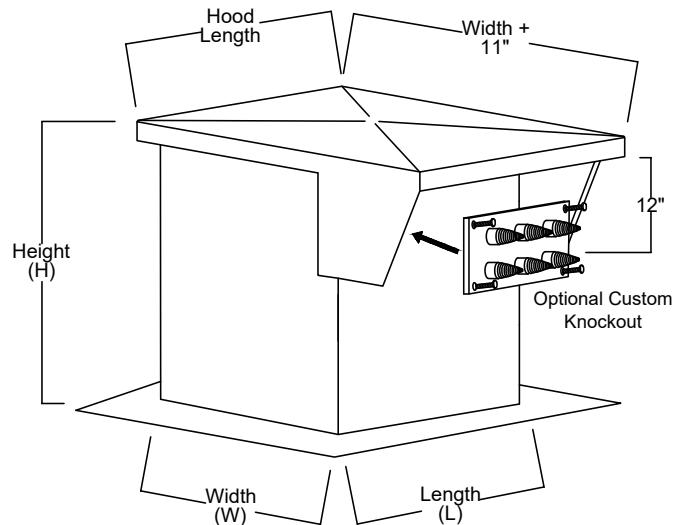
### Extended Hood - Standard Sizes

- + 24" Height
- + Widths: 12", 18", 24"
- + Length: 24", 48", 60", 84", 108"

### Optional Custom Knockout



### Single Hood



### Extended Hood

