

# Submittal Data

## Model HPP Buckley Hooded Pipe Portal

### Application and Design

Buckley Hooded Pipe Portals are used to provide a weather tight seal for piping and conduit penetrating the roof structure and are typically used for refrigeration piping.

### Standard Construction

- + 18 Gauge Galvanized Steel
- + 2" Flange
- + Continuous Welds on Seams
- + 1" Thick, 3 lb. Rigid Fiberglass Insulation
- + Removable Roof Hood, Broken and Insulated
- + Field Cut Holes for Piping Penetrations

### Options

- + Aluminum Construction
- + Custom Sizes and Heights
- + Extended Hood, 2-Sided Hood
- + Custom Knockouts w/ EPDM Pipe Flashing Nipples

### Single Hood - Standard Sizes

- + 24" Height
- + 8x8, 10x10, 12x12, 14x14, 16x16, 18x18, 20x20, 22x22, 24x24

### Extended Hood - Standard Sizes

- + 24" Height
- + Widths: 12", 18", 24"
- + Lengths: 24", 48", 60", 84", 108"

### EPDM Pipe Flashing Nipples

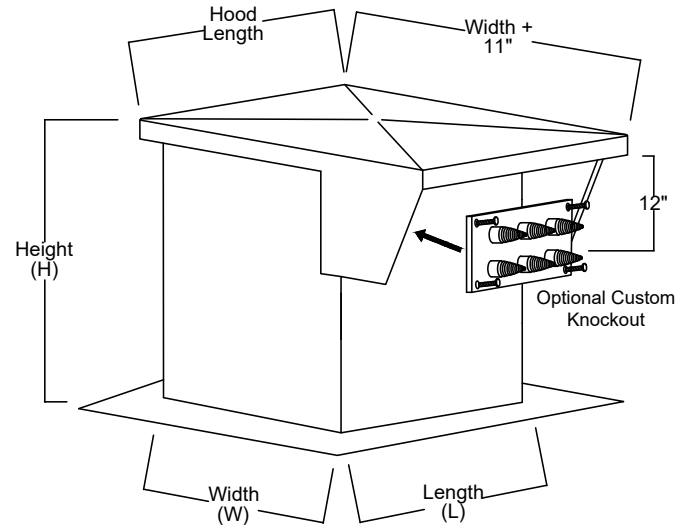
Nipple Type	Square Base	Fits Pipe Sizes	
		Min	Max
Mini	2.25" x 2.25"	1/8"	3/4"
#1	4.75" x 4.75"	1/4"	2 3/4"
#2	6" x 6"	7/8"	4"

- + Can be provided loose for field cut/install or factory-installed.

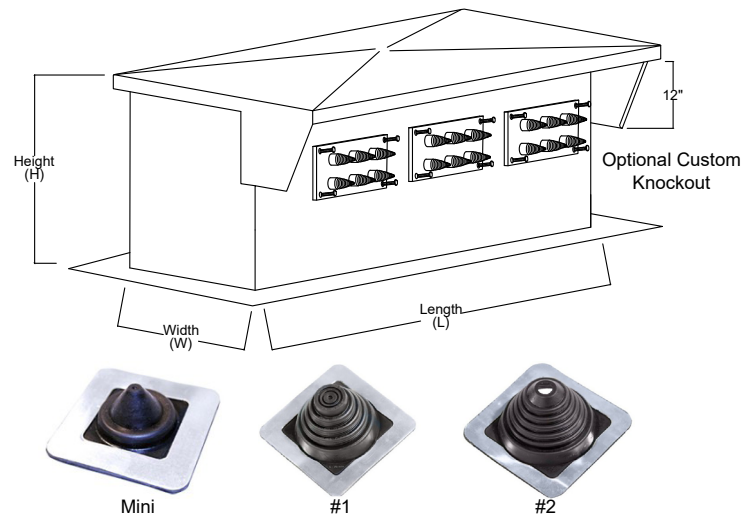
### Dimensional Data

Qty	Hood Style	Base Length (L)	Base Width (W)	Height (H)	Options

### Single Hood



### Extended Hood



*Buckley Associates, Inc.*

Manufactured by Buckley Associates, Inc, Hanover, Massachusetts  
Sheet Metal Union Local 17.

