

Submittal Data

Model BSS Buckstrut Condenser Support

Application and Design

The Buckstrut Condenser Support (BSS) provides for a safe and stable platform for mounting any brand of mini-split and VRF ductless condensers. At 18" high it keeps the unit off the roof deck and elevated above the average snow line. Units ship pre-assembled for quick and easy installation.

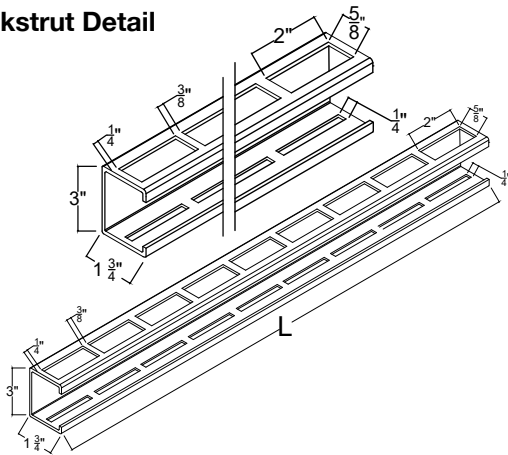
Standard Construction

- + Pre-Assembled
- + 18 Gauge Galvanized Steel
- + 18" Height, 4" Width
- + Wood Nailer w/ Cap
- + 2" Flange
- + Continuous Welds on Seams
- + (2) 14-Gauge Buckstrut Mounting Rails with Mounting Hardware
- + Compatible with All Brands/Manufacturers

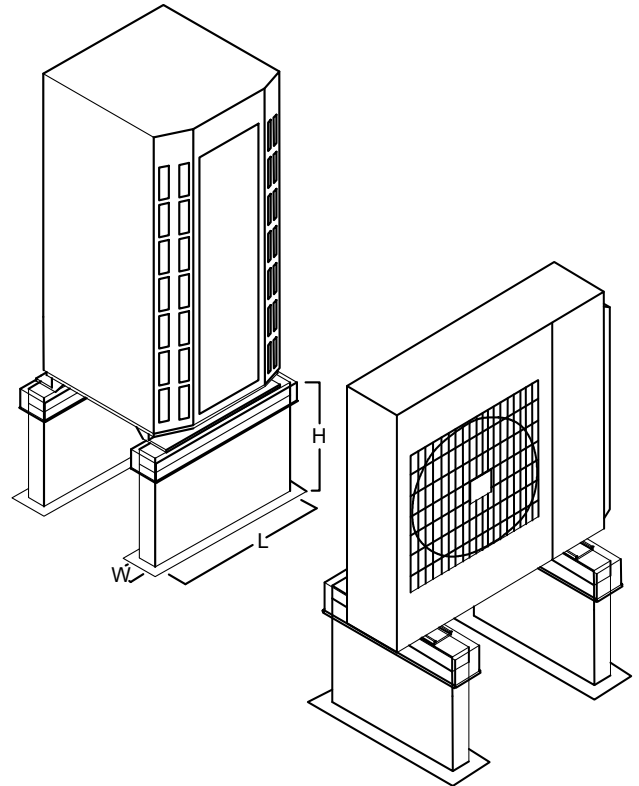
Options

- + Aluminum Construction
- + Custom Sizes and Heights

Buckstrut Detail



VRF Condenser w/ Rail Mounting



Mini-Split Condensers
or Foot-Mounted Units

Sizing Guidelines

Height

Add 10" to Height if secured directly to the metal roof deck and there is 10" of roof insulation

Dimensional Data

Qty	Tag	Length (L)	Width (W)	Height (H)	Buckstrut Qty	Buckstrut Length

All dimensions are in inches.

Buckley Associates, Inc.

Manufactured by Buckley Associates, Inc, Hanover, Massachusetts
Sheet Metal Union Local 17.

BSS
January 2025

