

# Centrifugal Upblast Exhaust Fan, Product # CUE-095-6VG119XQD, 199-1167 CFM

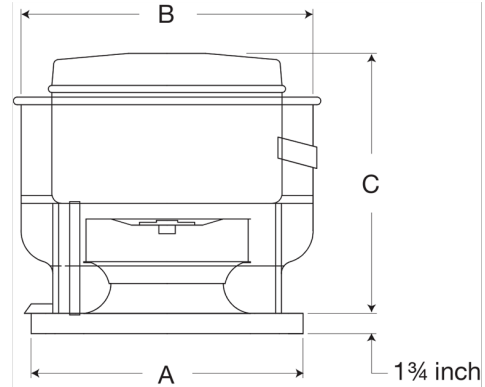


Model CUE is a direct drive exhaust fan specifically designed for roof or sidewall mounted applications discharging the air directly upward, away from the roof or wall surface. The fans feature a one piece windband continuously welded to curb cap and double studded isolators for true vibration isolation.

- 19 x 19 inch base with prepunched mounting holes for easy attachment to roof curb
- Energy-efficient, speed controllable, Vari-green® motor
- Roof or wall mountable

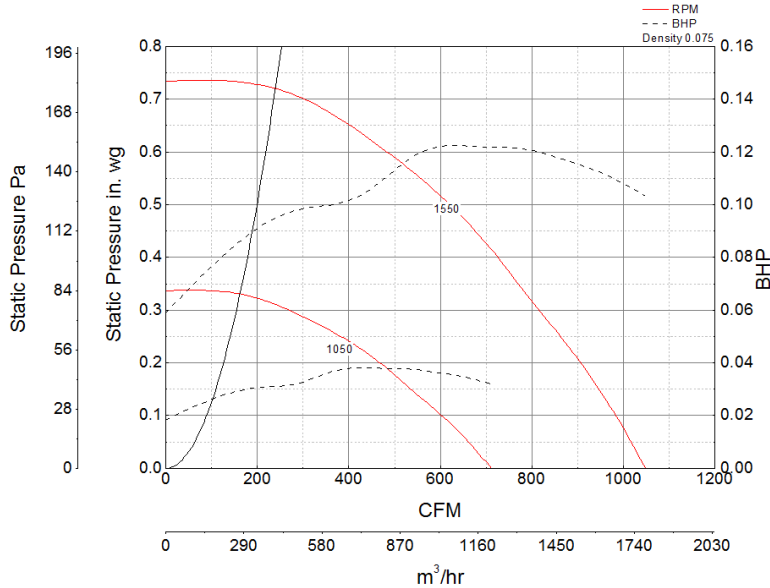
### Certifications

AMCA Sound & Air  
UL/cUL 705



| A     | B     | C        |
|-------|-------|----------|
| 19 in | 21 in | 15.25 in |

### Performance Characteristics



### Construction Features

|                    |                                      |
|--------------------|--------------------------------------|
| Housing Material   | Spun Aluminum                        |
| Drive Type         | Direct Drive                         |
| Impeller Type      | Centrifugal Wheel                    |
| Impeller Material  | Composite                            |
| Includes           | Motor mounted potentiometer          |
| Certifications     | AMCA Sound & Air<br>UL/cUL 705       |
| Speed Controllable | Yes                                  |
| Required Accessory | Roof curb for new roof installations |

### Motor Information

|                    |              |
|--------------------|--------------|
| Motor Insulation   | B            |
| Motor Phase        | 1            |
| Service Factor     | 1            |
|                    | 115          |
| Voltage            | 208          |
|                    | 230          |
|                    | 277          |
| HP                 | 1/6          |
| Hertz              | 60           |
| Motor Enclosure    | n/a          |
| RPM                | 1800         |
| Thermal Protection | AutoOverload |
| Nominal Efficiency | 85           |

### Air and Sound Performance

| Motor HP | Max BHP | Max Fan RPM | Min Fan RPM | Ps (in. wg) | 0     | 0.125 | 0.25  | 0.375 | 0.5 | 0.625 | 0.75 | 0.875 |
|----------|---------|-------------|-------------|-------------|-------|-------|-------|-------|-----|-------|------|-------|
| 1/6      | 0.17    | 1725        | 1050        | CFM         | 1,167 | 1,093 | 1,005 | 905   | 802 | 680   | 525  | 314   |
|          |         |             |             | Sones       | 11.3  | 11    | 10.5  | 9.9   | 9.8 | 9.6   | 9.4  | 9     |



- Greenheck Fan Corporation certifies that the model shown herein is licensed to bear the AMCA Seal. The ratings shown are based on tests and procedures performed in accordance with AMCA Publication 211 and AMCA Publication 311 and comply with the requirements of the AMCA Certified Ratings Program.
- Performance certified is for installation type A: Free inlet, Free outlet.
- Power rating (BHP/kW) does not include transmission losses.
- Performance ratings do not include the effects of appurtenances (accessories).
- The sound ratings shown are loudness values in fan sones at 5 ft. (1.5 m) in a hemispherical free field calculated per AMCA Standard 301. Values shown are for installation type A: free inlet hemispherical sone levels.

## California Residents

 **WARNING**

This product can expose you to chemicals including cadmium used in the processing of corrosion resistant metal and fasteners, which is known to the State of California to cause cancer and birth defects or other reproductive harm. For more information visit [www.P65Warnings.ca.gov](http://www.P65Warnings.ca.gov)