

# Submittal Data

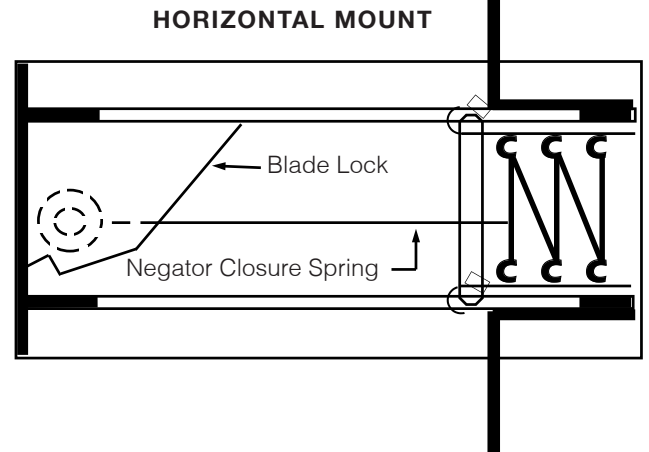
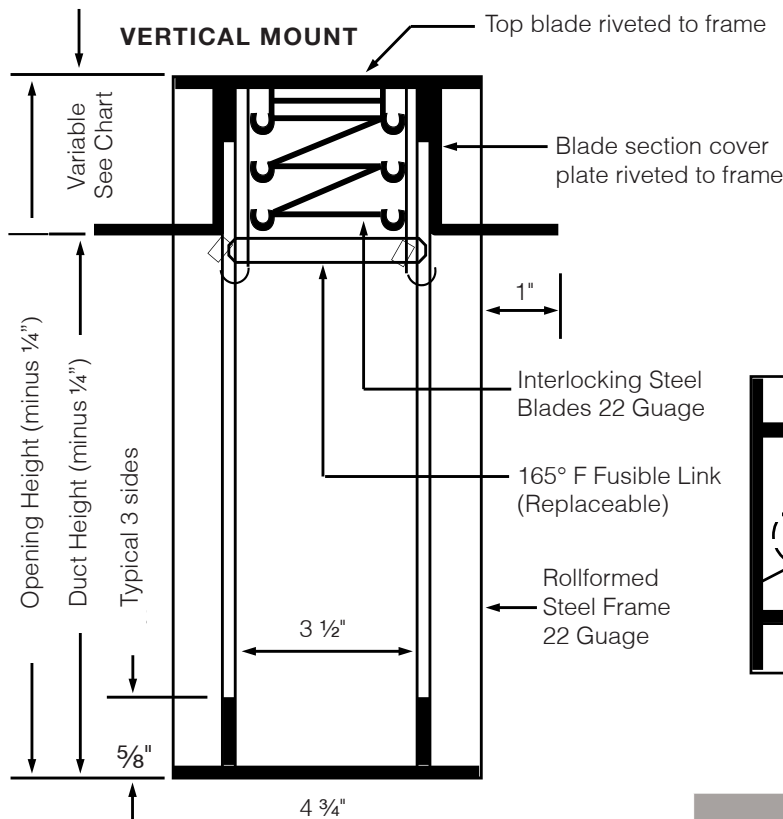
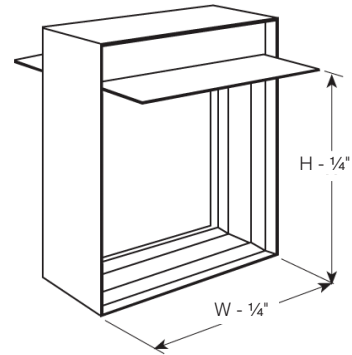
## Model 150B Buckley 1.5 HR Rated Static Fire Damper

### Application

Model 150B is a static rated fire damper approved for use in walls and is a 2 hour fire partition. This model carries a 1.5 hour UL fire damper label. UL555 classifies static rated fire dampers for use in HVAC systems that are automatically shut down in the event of a fire.

### Standard Construction

- + 22 Gauge Galvanized Steel Blades and Frame
- + Blades Out of Air Stream
- + 165° F Replacable Fusible Link
- + Horizontal or Vertical Mount
- + Horizontal mount constructed with negator closure springs
- + UL555 Fire Resistant Rating 1.5 Hours Listing R9491



Underwriters laboratories classifies for use in 2 hour fire partitions.

For multiple assembly sizes consult U.L. Listing Card or U.L. Fire Resistance Index.

	Single Section Size Availability			
	Vertical		Horizontal	
	Width x Height		Width x Height	
Minimum Section	4"	4"	4"	4"
Maximum Section	60"	60"	48"	43"

*Buckley Associates, Inc.*

Manufactured by Buckley Associates, Inc, Hanover, Massachusetts  
Sheet Metal Union Local 17.



150B (97465)  
May 2019

