



SensAC

VRF Refrigerant Leak Detection for Occupied Space

VRF Refrigerant Leak Detection for Occupied Space

Designed to meet the need for a cost-effective and reliable solution to detect VRF refrigerant leaks in occupied space as in hotels, hospitals, senior living facilities, school buildings, and other occupied spaces, in both, new construction and retro-fits taking advantage of the cost-savings of VRF technologies.

Key Features:

- Reliable detection with Non Dispersive Infrared (NDIR) technology, stable and accurate.
- Lowest lifetime total cost – 2-year warranty and 5+ year expected lifetime (IR source).
- 5 seconds complete unit functionality test.
- Onboard diagnostics with unit fault alarm.
- Fits in standard 2 gang junction box.
- Modbus RS485 comm.
- No need for yearly calibration or service.



VRF Refrigerant Leak Detection for Occupied Space

Technical Specifications:

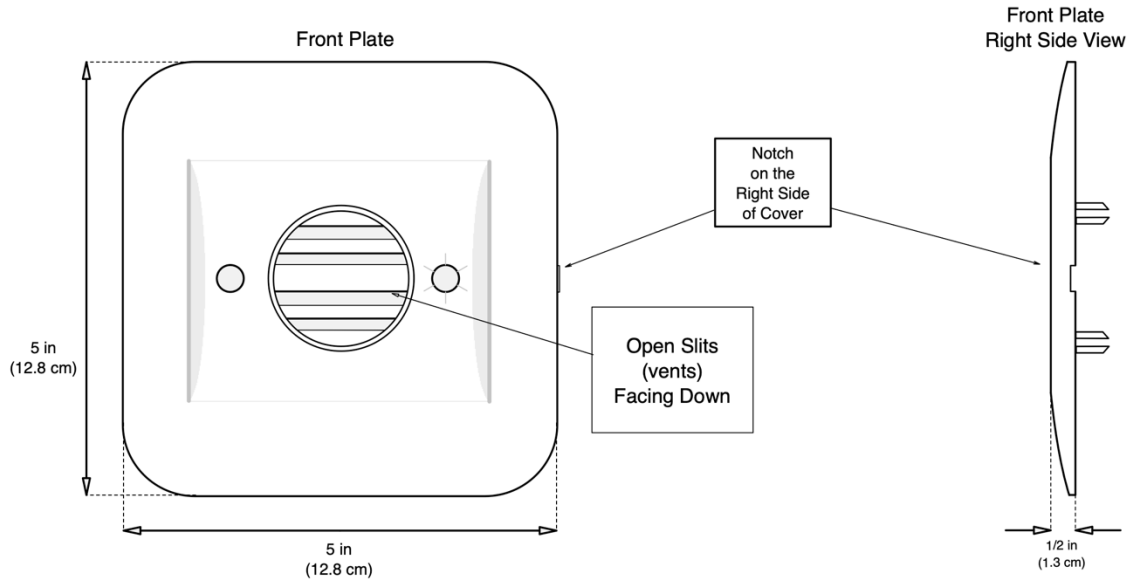
Model: **U4762R410A**

Application	<p>Designed for use in detecting VRF System refrigerant leaks in an occupied space.</p> <p>Typical Application Includes:</p> <ul style="list-style-type: none"> • Hotels • Schools • Senior Living • Hospitality • Restaurants • Hospitals • Universities • Multi Family • Historic Buildings • Retail <p>*For use on non-classified areas only.</p>								
Sensing Element	Non Dispersive Infrared (NDIR)								
Detectable Gases	R410a								
Supply Voltage	120VAC, 60Hz								
Power Consumption	44 mA amps @ 120VAC								
Relay Output	Two SPDT (Form C) Dry Contacts 1.0A max. @ 24 VDC								
Alarm Relays Actuation Points	Relay 1 & 2 at 2000 ppm								
Multicolor Status LED Indication	<table style="border: none;"> <tr> <td>Green Blinking</td> <td>Warm-up</td> </tr> <tr> <td>Green fixed</td> <td>Normal status</td> </tr> <tr> <td>Yellow</td> <td>Fault</td> </tr> <tr> <td>Red blinking</td> <td>Alarm</td> </tr> </table>	Green Blinking	Warm-up	Green fixed	Normal status	Yellow	Fault	Red blinking	Alarm
Green Blinking	Warm-up								
Green fixed	Normal status								
Yellow	Fault								
Red blinking	Alarm								
Buzzer	83 dB at 10"								
Serial Communications	Modbus RTU slave								
Transmission Standard	RS485 (2-wire)								
Installation	Mounted 18" from the floor, below the discharge of the fan coil. Fits in standard 2 gang junction box.								
Factory Calibration Range	5000 PPM								
Accuracy	± 5% full-scale range under 50% full-scale, ±7% full-scale range above 50% of full-scale.								
Storage Temperature	-15 to 140 F								
Operating Temperature	-4 to 140 F								
Relative Humidity	0-90 %RH non-condensing								
Response time	T90 <30 seconds								
Sensor Warmup time	2 min unit initialization – 1 hour for full specification performance								
Recommended Maintenance	Accuracy & Bump Test once per year or as required by Code								
Warranty	2 years								
IP Rating	IP42								
Approvals	EN 61000-6-3:2007 + A1:201; EN 50270:2015, IEC 60335-2-40Annex LL, EN 378-3, EN 50676 and EN 14624, ISP5149-3, REACH/RoHS, CE Mark								
Product Weight	0.44 lb. (200 g)								
Product Dimensions	Width 5.11 in (13.0 cm), Height 5.11 in (13.0 cm), Depth 2.36 in (6.0 cm)								
Specifications Subject to Change Without Notice									

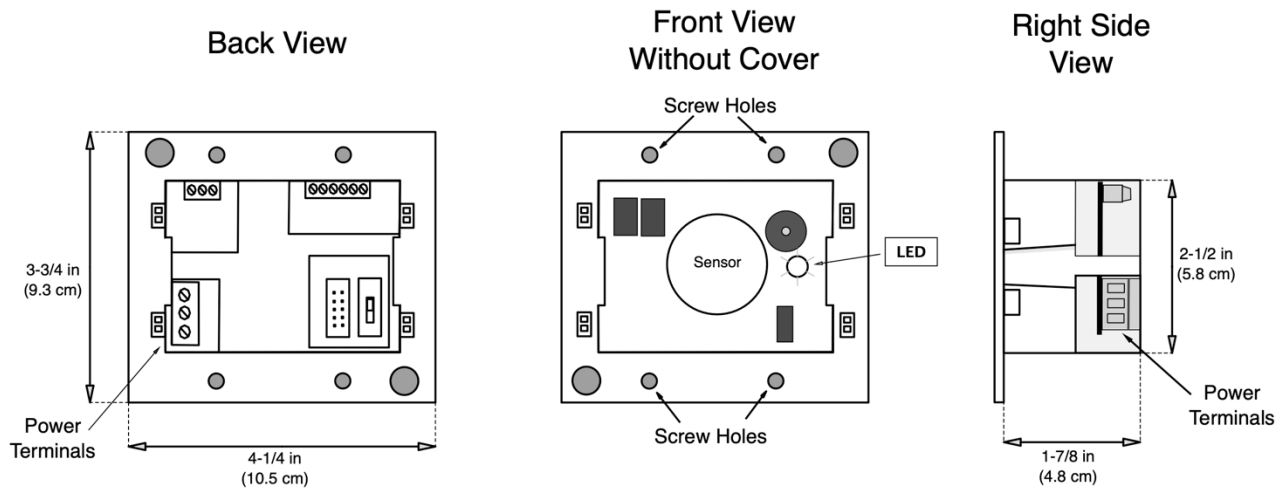


VRF Refrigerant Leak Detection for Occupied Space

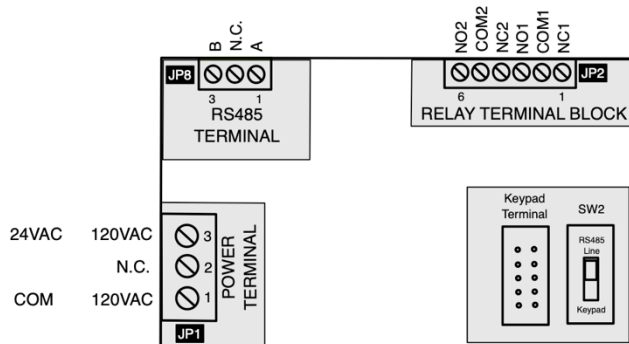
Dimensions:



Mounting Orientation:



Wiring:





UNLIMITED CONTROLS

www.ulcontrols.com

SensAc-Support@ulcontrols.com

8334 Clairemont Mesa Blvd., Ste. 103 • San Diego, CA 92111 • 619-347-1551