

SI UNITS (mm)					
NOMINAL SIZE	B	C	COIL CONNECTIONS		
			1 row	1 row	2,3,4 rows
			standard	H.C.	
4,5,6	305	203	13	13	22
7,8	305	254	13	13	22
9,10	356	318	22	13	22
12	406	381	22	13	22
14	508	445	22	13	22
16	610	457	22	22	22
24x16	965	457	22	22	22

IMPERIAL UNITS (inches)					
NOMINAL SIZE	B	C	COIL CONNECTIONS		
			1 row	1 row	2,3,4 rows
			standard	H.C.	
4,5,6	12	8	1/2	1/2	7/8
7,8	12	10	1/2	1/2	7/8
9,10	14	12 1/2	7/8	1/2	7/8
12	16	15	7/8	1/2	7/8
14	20	17 1/2	7/8	1/2	7/8
16	24	18	7/8	7/8	7/8
24x16	38	18	7/8	7/8	7/8

**REFER TO SUBMITTAL 260234 FOR OVERSIZED CASING OPTION DIMENSIONS.

NOTES:

- FABRICATED FROM 22 GA. GALVANIZED STEEL MECHANICALLY SEALED, LEAK RESISTANT CONSTRUCTION.
- HOT WATER COILS HAVE COPPER TUBES AND ALUMINUM FINS WITH O.D. SWEAT CONNECTIONS.
- REFER TO SUBMITTED TERMINAL UNIT SCHEDULE FOR AIR VOLUMES AND REHEAT COIL CAPACITIES.
- METHOD OF VENTING REHEAT COIL IS TO BE PROVIDED BY INSTALLING CONTRACTOR.
- HAND OF WATER COIL CONNECTIONS IS DETERMINED WHEN VIEWED FROM AIR INLET SIDE WITH ACCESS DOOR ON BOTTOM. RIGHT HAND COIL CONNECTION ILLUSTRATED ABOVE.
- ALLOW 1 1/2" (38) MINIMUM CLEARANCE FOR INSTALLATION AT THIS END.
- CONFIGURATION OF COIL CONNECTION VARIES WITH SIZE & CIRCUITRY OF COIL.
- PERFORMANCE RATED AND CERTIFIED IN ACCORDANCE WITH THE CURRENT EDITION OF ARI STANDARD 410.
- STANDARD COILS SUPPLIED WITH 10 FINS PER INCH.
- IT IS NOT RECOMENDED TO REVERSE 3 & 4 ROW COILS. INDICATE HANDING WHILE ORDERING.

OPTIONS:

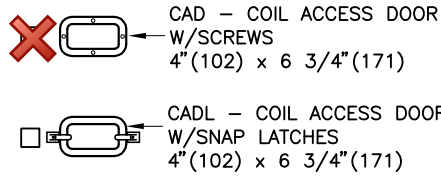
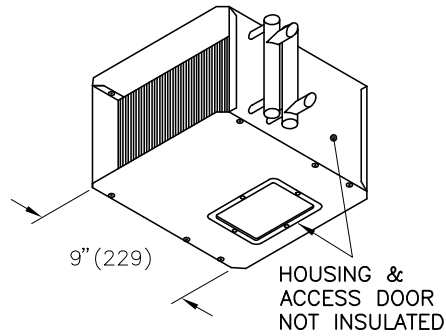
HC (HIGH CAPACITY) WATER COIL

**HIGH CAPACITY COIL SUPPLIED WITH 12 FINS PER INCH. 1 AND 2 ROW COILS AVAILABLE.

ALL METRIC DIMENSIONS () ARE SOFT CONVERTED. IMPERIAL DIMENSIONS ARE CONVERTED TO METRIC AND ROUNDED TO THE NEAREST MILLIMETER.

PROJECT:		PRICE [®]	
ENGINEER:		BG	HOT WATER COILS
CUSTOMER:		200911	SINGLE DUCT TERMINALS
SUBMITTAL DATE:	1/20/2022	SPEC. SYMBOL:	WC1RCAD 6,WC1RCAD 8,WC2RCAD 6,WC2RCAD 8,WC2RCAD 10


**WATER COIL REPLACEMENT
WITH COIL ACCESS DOOR**



NOTES:

1. BOTTOM ACCESS DOOR FOR INSPECTION AND MAINTENANCE OF COIL IS FEATURED.
2. 22GA GALVANIZED STEEL CONSTRUCTION.
3. GASKETED PERIMETER & 4 SCREWS PROVIDED AS STANDARD CONSTRUCTION.

ALL METRIC DIMENSIONS () ARE SOFT CONVERTED. IMPERIAL DIMENSIONS ARE CONVERTED TO METRIC AND ROUNDED TO THE NEAREST MILLIMETER.

PROJECT:		PRICE [®]	
ENGINEER:		 266639	HOT WATER COILS SINGLE DUCT TERMINALS WITH COIL ACCESS DOOR
CUSTOMER:			
SUBMITTAL DATE: 1/20/2022	SPEC. SYMBOL: WC1RCAD 6, WC1ROAD 8, WC2RCAD 6, WC2RCAD 8, WC2RCAD 10,	2016/02/29	