

Submittal Data

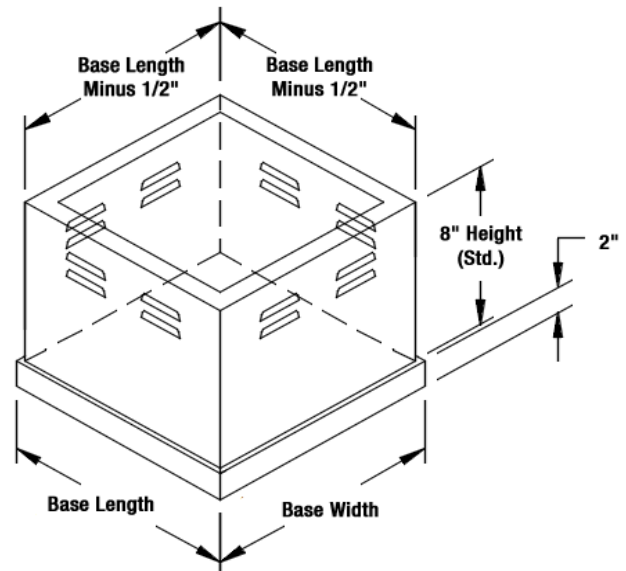
Model KE100EXT Kitchen Exhaust Vented Roof Curb Extension

Standard Construction

- + 18 Gauge Galvanized Steel
- + 8" Height
- + Fully Welded
- + Louvered Vents to Ventilate Heat on all 4 Sides
- + Designed to provide required 18 in. minimum discharge height above roof line per NFPA 96 when used with 12 in high roof curb

Options

- + Aluminum Construction
- + Various Heights
- + Various Gauges of Galvanized Steel



Buckley Associates, Inc.

Manufactured by Buckley Associates, Inc, Hanover, Massachusetts
Sheet Metal Union Local 17.

KE100EXT
May 2021

