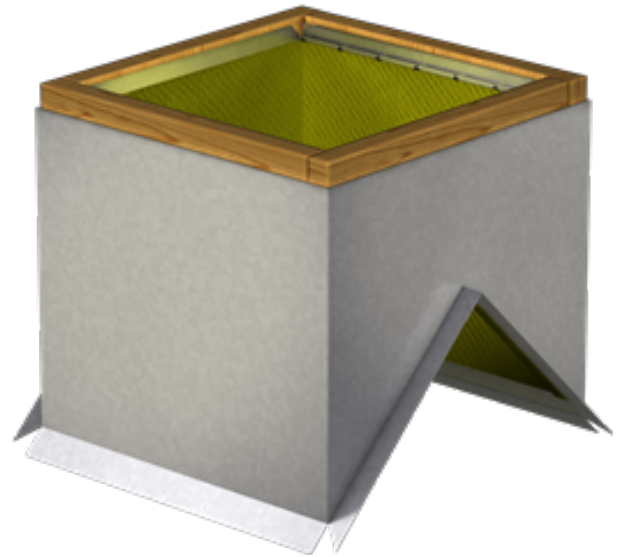


Submittal Data

Model GPIR Double Pitched Ridged Roof Curb

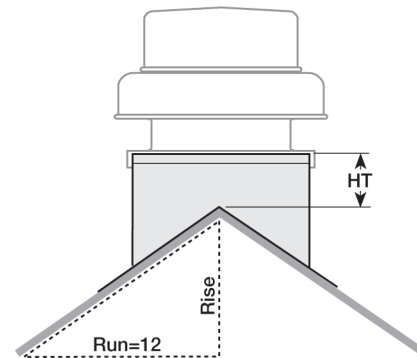
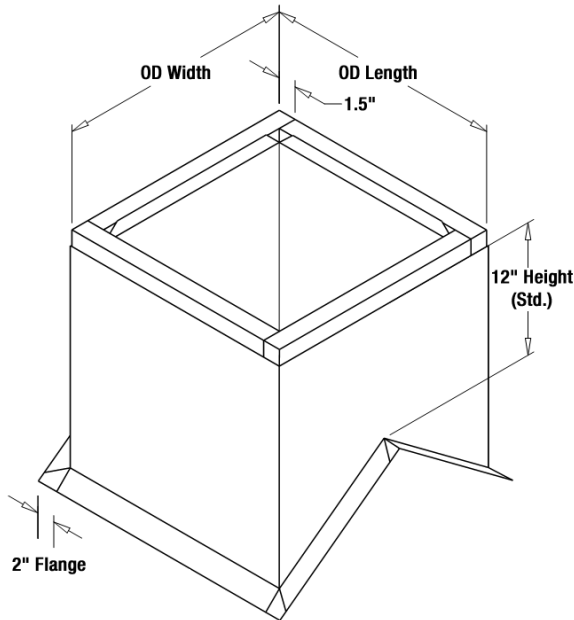
Standard Construction

- + 18 Gauge Galvanized Steel
- + 12" Height
- + 2" Flange
- + Wood Nailer
- + Continuous Welds on Seams
- + 1" Thick, 3 lb. Rigid Fiberglass Insulation



Options

- + Aluminum Construction
- + Pressure-Treated Wood Nailer
- + 14, 16 Gauge Galvanized Construction
- + Different Heights Available (Curb Size/Height)
- + 1/2" Burglar Bars
- + 5" Flange
- + Damper Tray



- + The OD dimensions are undercut by 1 inch unless ordered exact
- + The pitch must be specified as a ratio based on the roof rise over a 12 inch run
- + If the curb is rectangular, you must specify if the pitch is on the short or long side

Buckley Associates, Inc.

Manufactured by Buckley Associates, Inc, Hanover, Massachusetts
Sheet Metal Union Local 17.

GPIR
May 2020

