

# Submittal Data

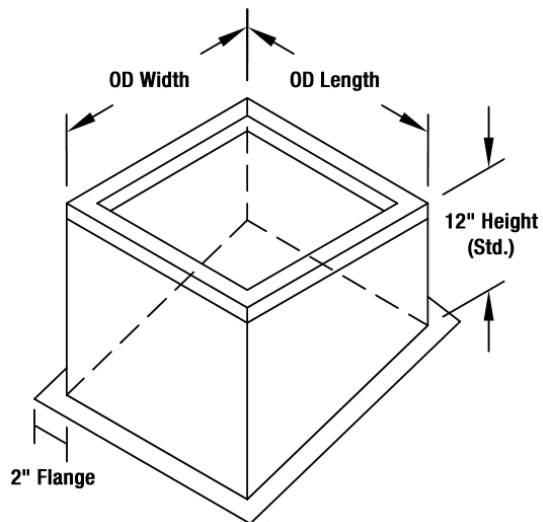
## Model GPIP Pitched Roof Curb

### Standard Construction

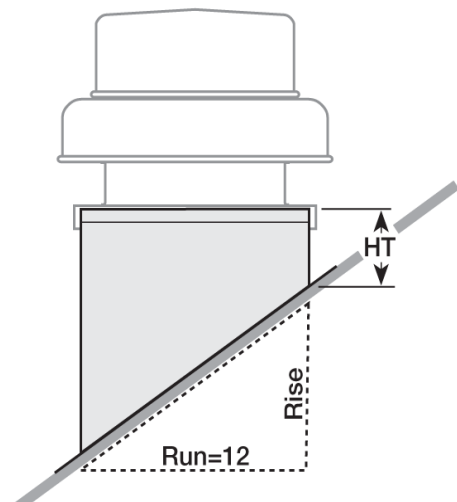
- + 18 Gauge Galvanized Steel
- + 12" Height
- + Wood Nailer
- + 2" Flange
- + Continuous Welds on Seams
- + 1" Thick, 3 lb. Rigid Fiberglass Insulation

### Options

- + Aluminum Construction
- + Pressure-Treated Wood Nailer
- + No Wood Nailer
- + 14, 16 Gauge Galvanized Construction
- + Different Heights Available (Curb Size/Height)
- + ½" Burglar Bars
- + 5" Flange
- + Damper Tray



- + The OD dimensions are undercut by 1 inch unless ordered exact



- + The pitch must be specified as a ratio based on the roof rise over a 12 inch run
- + If the curb is rectangular, you must specify if the pitch is on the short or long side

*Buckley Associates, Inc.*

Manufactured by Buckley Associates, Inc, Hanover, Massachusetts  
Sheet Metal Union Local 17.

GPIP  
2020

