

Submittal Data

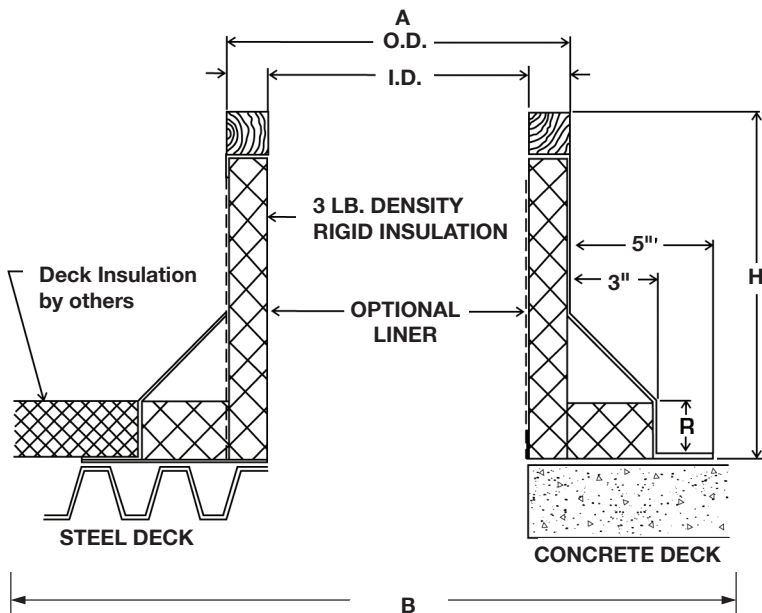
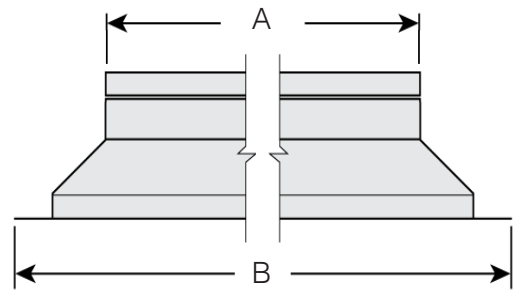
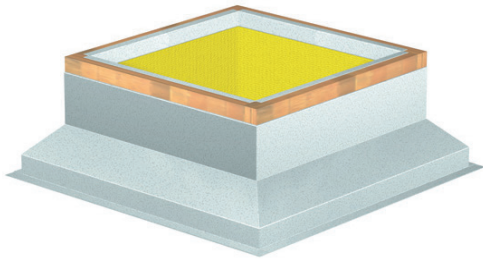
Model BRC200 45° Cant Step

Standard Construction

- + 18 Gauge Galvanized Steel
- + 12" Height
- + Wood Nailer
- + Welds Coated with Galvanizing Compound
- + 1" Thick, 3 lb. Rigid Fiberglass Insulation
- + Step Height Required

Options

- + Aluminum Construction
- + Pressure-Treated Wood Nailer
- + 14, 16 Gauge Galvanized Construction
- + Different Flange Widths (Curb Size/Height)
- + Damper Tray
- + Buglar Bars
- + Acoustic Baffles
- + 24 Gauge Galvanized Steel Liner



Dimensional Data

Size	A	B
17	16	24
19	18	26
22	21	29
30	29	37
34	33	41
40	39	47
46	45	53
52	51	59
58	57	65
64	63	71

All dimensions are in inches.

Buckley Associates, Inc.

Manufactured by Buckley Associates, Inc., Hanover, Massachusetts
Sheet Metal Union Local 17.

BCR200
January 2019

