

Submittal Data

Model UP Universal Plenum

Standard Construction

+ 24 Gauge Galvanized Steel

Length

- 12"
- 24"
- 36"
- 48"
- 60"
- 72"
- Specify Length _____

Insulation

- CF - Coated Fiberglass
- FF - Fiber Free
- None

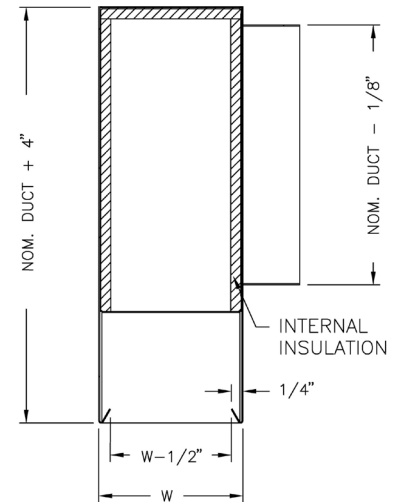
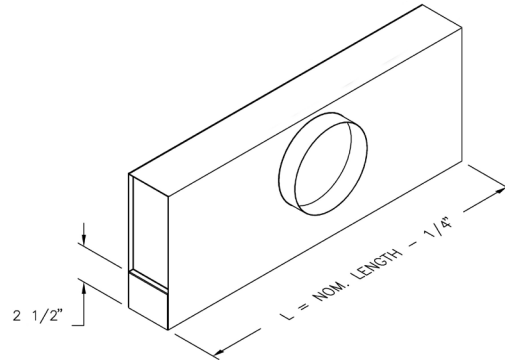
Inlet Size

- 6"
- 7"
- 8"
- 9"
- 10"
- 12"
- Field Cut

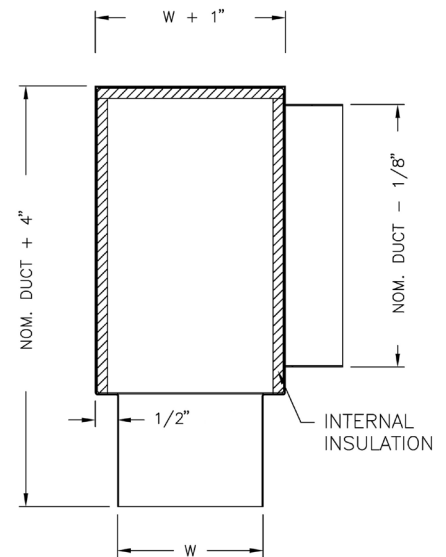
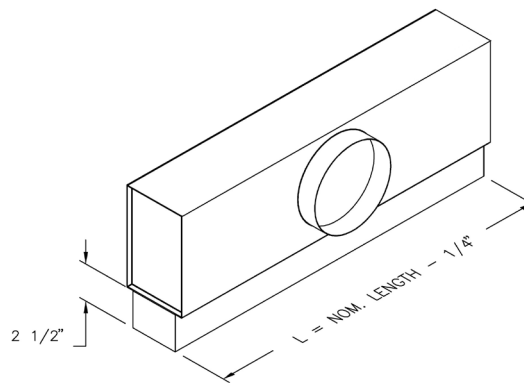
Width - Specify Price Diffuser

- SDS
 - Type _____
 - Border Type _____
 - Slot Qty _____
- LBP
 - Width _____
- Custom Flow (CF)
 - Slot Qty _____
 - Width _____
- Other
 - Slot Qty _____
 - Width _____

Hemmed Edge for Surface Mount Applications



Flat Edge for T-Bar Applications



Notes

+ End caps are not insulated

Buckley Associates, Inc.

Manufactured by Buckley Associates, Inc, Hanover, Massachusetts
Sheet Metal Union Local 17.

