

# Submittal Data

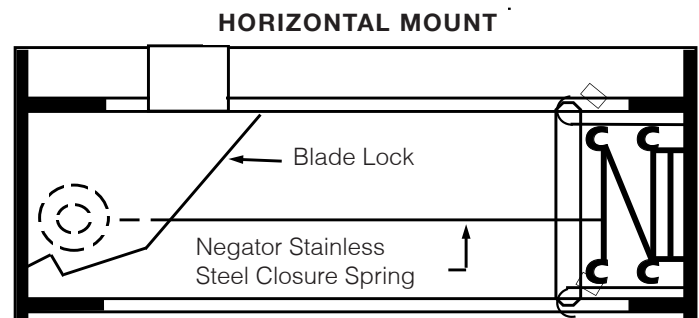
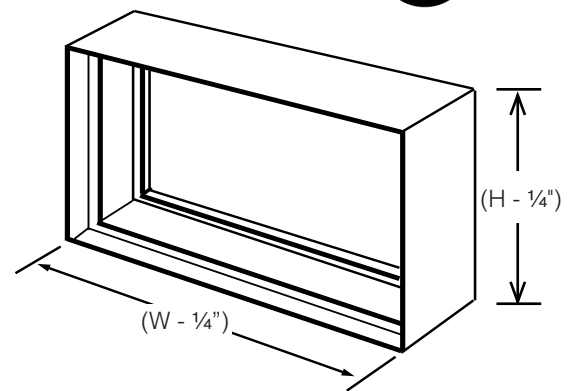
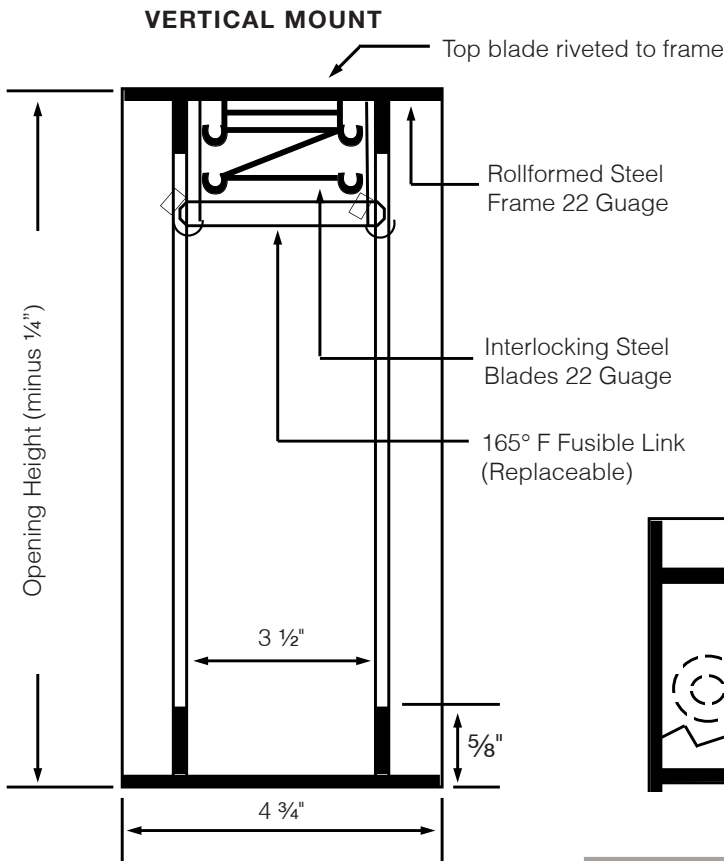
## Model 150A Buckley 1.5 HR Rated Static Fire Damper

### Application

Model 150A is a static rated fire damper approved for use in walls and partitions with fire resistance ratings less than 3 hours. This model carries a 1½" hour UL fire damper label. UL555 classifies static rated fire dampers for use in HVAC systems that are automatically shut down in the event of a fire.

### Standard Construction

- + 22 Gauge Galvanized Steel Blades and Frame
- + Blades Completely In Air Stream
- + 165° F Fusible Link (replaceable)
- + Horizontal or Vertical Mount Available
- + UL555 Fire Resistant Rating 1.5 Hours Listing R9491



Underwriters laboratories classifies for use in 2 hour fire partitions.

For multiple assembly sizes consult U.L. Listing Card or U.L. Fire Resistance Index.

	Single Section Size Availability			
	Vertical		Horizontal	
	Width × Height		Width × Height	
Minimum Section	4"	4"	4"	4"
Maximum Section	60"	60"	48"	48"

*Buckley Associates, Inc.*

Manufactured by Buckley Associates, Inc, Hanover, Massachusetts  
Sheet Metal Union Local 17.

150A  
May 2019

