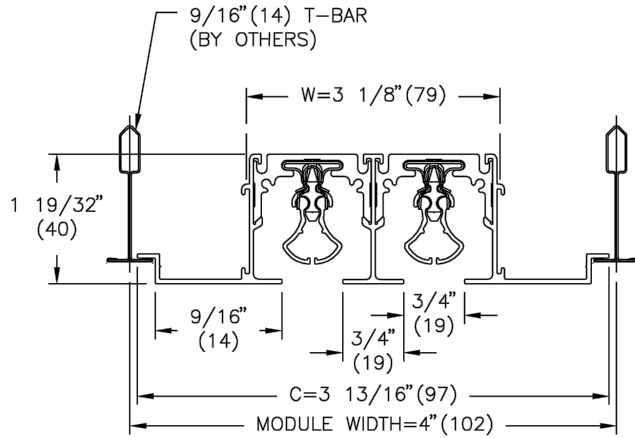


SDS75 3/4" Slot Linear Supply

18 – Tegular T-Bar 9/16" (14)

Slot Quantity	W
2	3 1/8



Face Overall Length = Ceiling Module - 5/8"

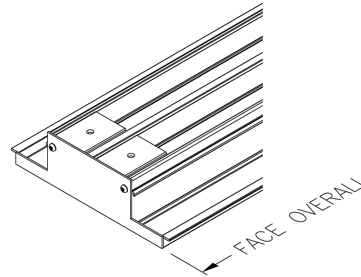
Finish:

- B12: Standard White

End Conditions:

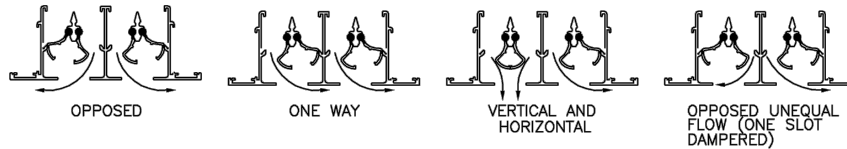
ZZ

Screw Mounted Flush End Cap



Notes:

- Extruded aluminum frame
- For use with Type 18 SDB/SDA series plenums, or with UP/UPL plenums
- 180° air pattern adjustment available
- Rollformed steel or extruded aluminum pattern controllers, B17 Black
- For use with 4" (102) or 6" (152) TechZone ceiling module sizes
- Factory tolerance ± 1/32" (1)
- See installation instruction I100046



PROJECT: ODD STOCK
ENGINEER:
DESCRIPTION: Linear Slot Supply, 3/4" Slot
SDS75/1/48.000/2/18/4/ZZ/1/B12

SUBMITTAL NO: 258521
CUSTOMER:

SUBMITTAL DATE: 2/3/2021