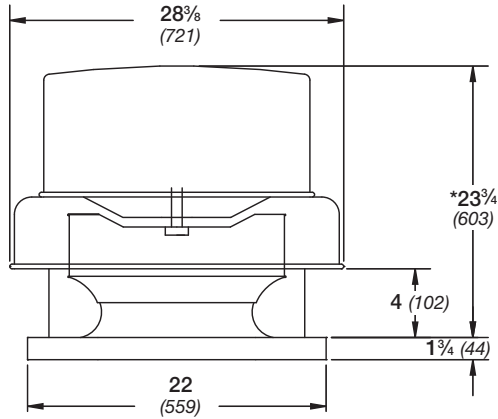
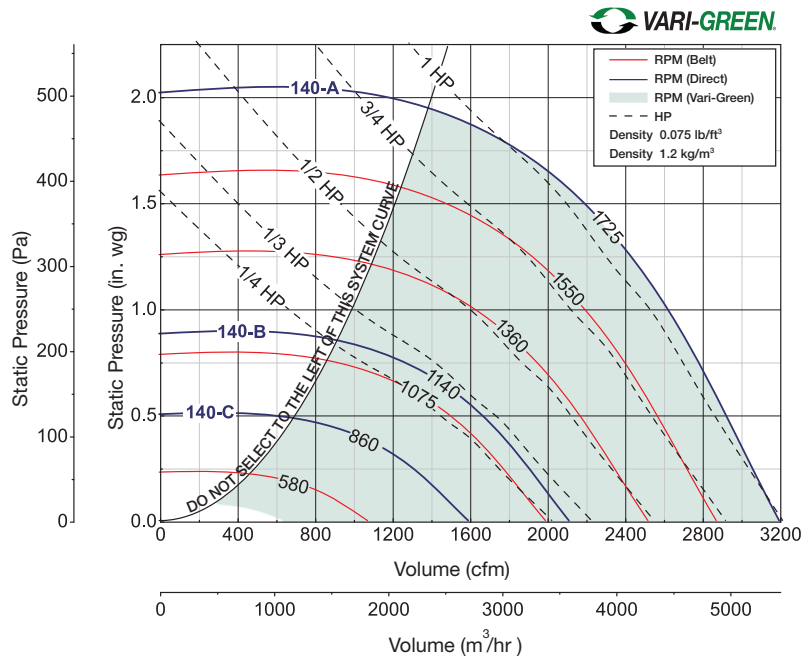


# Roof Downblast Exhaust Size-140: GB • G Previously Size- GB-141 • G-143



Damper Size = 16 x 16 (406 x 406)  
 Roof Opening = 18 1/2 x 18 1/2 (470 x 470)  
 Shroud Thickness = 0.051 (1.3)  
 Motor Cover Thickness = 0.040 (1.0)  
 Curb Cap Thickness = 0.064 (1.6)  
 ^Approximate Unit Weight G/GB = 77/86 lbs. (35/39 kg)

All dimensions in inches (millimeters). \*May be greater depending on motor. ^Weight shown is largest cataloged Open Drip-Proof motor.



Direct Drive RPM  
 C-860 RPM    B-1140 RPM    A-1725 RPM    VG-1725 RPM

Motor HP	Fan RPM		Static Pressure in Inches wg																	
	Belt	Direct	0	0.125	0.25	0.375	0.5	0.75	1	1.25	1.5	1.75								
140	VARI-GREEN	1/4	VG-3/4	580	CFM	1076	855													
					BHP	0.04	0.04													
				Sones	4.7	4.7														
			860	CFM	1336	1169	938													
				BHP	0.07	0.08	0.08													
				Sones	5.8	5.9	5.2													
		1/3	C-1/8	950	CFM	1595	1457	1304	1085											
					BHP	0.12	0.13	0.13	0.13											
				Sones	7.1	7.0	6.6	6.1												
			B-1/3	1140	CFM	1762	1636	1506	1344	1085										
					BHP	0.16	0.17	0.18	0.18	0.17										
				Sones	8.1	8.0	7.6	7.1	6.5											
1/2	VG-1	1075	CFM	1994	1882	1771	1647	1490												
			BHP	0.24	0.25	0.26	0.26	0.26												
		Sones	10.0	9.9	9.4	8.9	8.4													
	1725	1265	CFM	2115	2008	1905	1792	1660	1233											
			BHP	0.28	0.30	0.31	0.31	0.31	0.29											
		Sones	11.0	10.9	10.4	9.9	9.4	8.2												
3/4	VG-1	1360	CFM	2347	2250	2158	2062	1955	1677	1048										
			BHP	0.39	0.40	0.41	0.42	0.42	0.42	0.35										
		Sones	12.9	12.7	12.3	11.9	11.4	10.4	8.8											
	A-1	1450	CFM	2523	2433	2347	2259	2166	1943	1602										
			BHP	0.48	0.50	0.51	0.52	0.52	0.53	0.51										
		Sones	14.6	14.3	13.9	13.5	13.1	12.2	11.0											
1	VG-1	1550	CFM	2690	2606	2524	2443	2358	2165	1905	1501									
			BHP	0.58	0.60	0.61	0.63	0.63	0.64	0.63	0.59									
		Sones	16.2	15.9	15.6	15.2	14.7	13.8	12.9	11.7										
	1725	1450	CFM	2875	2797	2719	2644	2566	2396	2191	1910	1297								
			BHP	0.71	0.73	0.74	0.76	0.77	0.78	0.79	0.76	0.65								
		Sones	17.7	18.0	17.4	17.2	16.8	15.0	14.8	14.8	14.9									
1725	1725	CFM	3200	3129	3059	2991	2923	2782	2619	2427	2184	1815								
		BHP	0.98	1.00	1.02	1.03	1.05	1.07	1.07	1.09	1.06	1.00								
	Sones	20.0	21.0	20.0	19.9	19.6	18.5	17.2	17.0	16.8	16.7									

MAXIMUM BHP AT A GIVEN RPM = (RPM/1676)<sup>3</sup>  
 MAXIMUM RPM = 1725  
 TIP SPEED (ft/min) = RPM x 3.829  
 MAXIMUM MOTOR FRAME SIZE = 145T

Performance certified is for installation type A: Free inlet, Free outlet. Power rating (BHP) does not include transmission losses. Performance ratings include the effects of a birdscreen. The sound ratings shown are loudness values in hemispherical sones at 5 ft. (1.5 m) in a hemispherical free field calculated per AMCA Standard 301. Values shown are for installation type A: free inlet hemispherical sone levels.