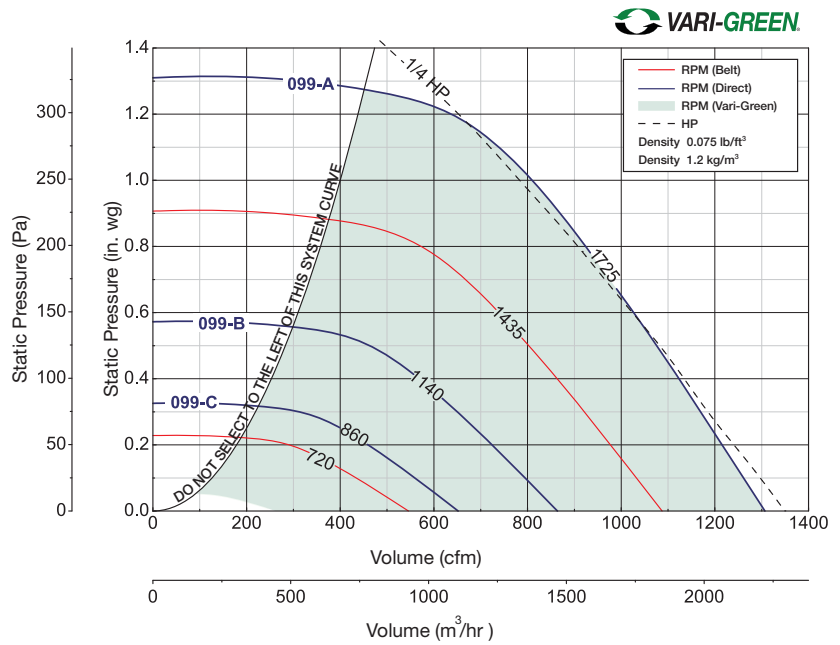
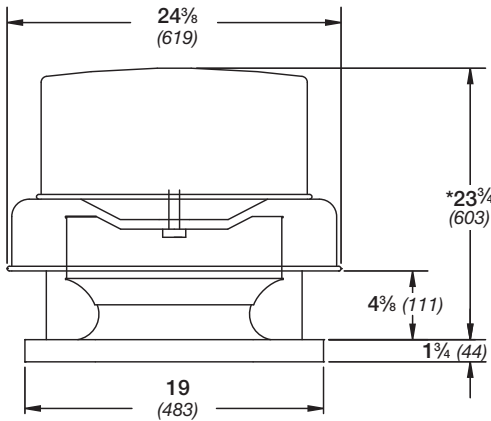


Roof Downblast Exhaust Size-099: GB • G Previously Size- GB-091



Damper Size = 12 x 12 (305 x 305)
 Roof Opening = 14½ x 14½ (368 x 368)
 Shroud Thickness = 0.051 (1.3)
 Motor Cover Thickness = 0.040 (1.0)
 Curb Cap Thickness = 0.064 (1.6)
 ^Approximate Unit Weight G/GB = 54/61 lbs. (24/28 kg)

All dimensions in inches (millimeters). *May be greater depending on motor. ^Weight shown is largest cataloged Open Drip-Proof motor.

Direct Drive RPM
 C-860 RPM B-1140 RPM A-1725 RPM VG-1725 RPM

Motor HP		Fan RPM	Static Pressure in Inches wg										
Belt	Direct		0	0.125	0.25	0.375	0.5	0.625	0.75	0.875	1	1.125	
099													
1/4	VARI-GREEN VG-1/4	720	CFM	546	403								
			BHP	0.02	0.02								
		Sones	3.6	3.5									
		790	CFM	599	471	291							
			BHP	0.02	0.02	0.02							
		Sones	4.2	4.1	3.9								
		C-1/8 860	CFM	652	536	400							
			BHP	0.03	0.03	0.03							
		Sones	4.9	4.7	4.5								
		930	CFM	705	598	481							
	BHP		0.04	0.04	0.04								
	Sones	5.6	5.5	5.1									
	1000	CFM	758	659	552	414							
		BHP	0.04	0.05	0.05	0.05							
	Sones	6.4	6.2	5.8	5.6								
	1070	CFM	811	718	621	512							
		BHP	0.05	0.06	0.06	0.06							
	Sones	7.3	7.1	6.7	6.3								
	B-1/6 1140	CFM	864	777	687	590	457						
		BHP	0.07	0.07	0.07	0.07	0.07						
Sones	8.3	8.1	7.6	7.1	6.8								
1285	CFM	974	897	819	736	647	526						
	BHP	0.09	0.10	0.10	0.10	0.11	0.10						
Sones	9.5	9.4	9.0	8.5	8.2	7.9							
1435	CFM	1087	1018	949	877	801	721	615	404				
	BHP	0.13	0.14	0.14	0.14	0.15	0.15	0.15	0.12				
Sones	10.7	10.6	10.4	10.0	9.6	9.3	9.0	8.4					
1580	CFM	1197	1135	1072	1009	941	872	799	707	583			
	BHP	0.17	0.18	0.19	0.19	0.19	0.20	0.20	0.20	0.19			
Sones	12.1	12.0	11.9	11.5	11.2	10.9	10.6	10.3	9.8				
A-1/4 1725	CFM	1307	1250	1192	1135	1076	1013	949	883	806	707		
	BHP	0.23	0.23	0.24	0.24	0.25	0.25	0.26	0.26	0.26	0.25		
Sones	13.6	13.5	13.4	13.2	12.9	12.6	12.3	12.0	11.8	11.5			

MAXIMUM BHP AT A GIVEN RPM = (RPM/2703)³
 MAXIMUM RPM = 1725
 TIP SPEED (ft/min) = RPM x 2.929
 MAXIMUM MOTOR FRAME SIZE = 56

Performance certified is for installation type A: Free inlet, Free outlet. Power rating (BHP) does not include transmission losses. Performance ratings include the effects of a birdscreen. The sound ratings shown are loudness values in hemispherical sones at 5 ft. (1.5 m) in a hemispherical free field calculated per AMCA Standard 301. Values shown are for installation type A: free inlet hemispherical sone levels.