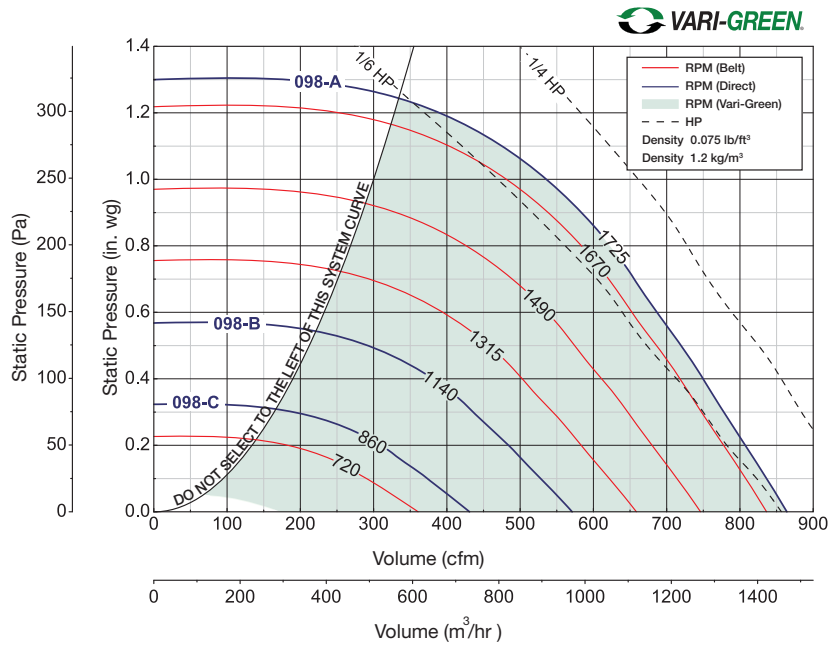
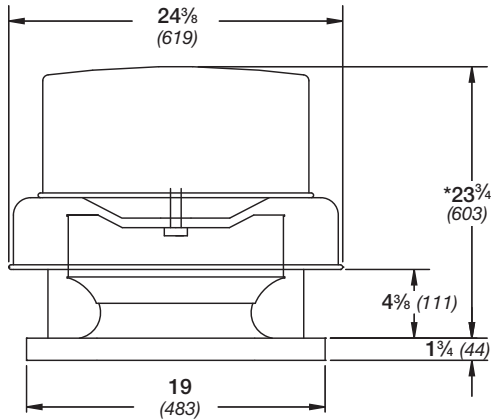


Roof Downblast Exhaust Size-098: GB • G Previously Size- GB-081



Damper Size = 12 x 12 (305 x 305)
 Roof Opening = 14 1/2 x 14 1/2 (368 x 368)
 Shroud Thickness = 0.051 (1.3)
 Motor Cover Thickness = 0.040 (1.0)
 Curb Cap Thickness = 0.064 (1.6)
 ^Approximate Unit Weight G/GB = 54/60 lbs. (24/27 kg)

All dimensions in inches (millimeters). *May be greater depending on motor. ^Weight shown is largest cataloged Open Drip-Proof motor.

Direct Drive RPM
 C-860 RPM B-1140 RPM A-1725 RPM VG-1725 RPM

Motor HP		Fan RPM	Static Pressure in Inches wg													
Belt	Direct		0	0.125	0.25	0.375	0.5	0.625	0.75	0.875	1	1.125				
098																
1/6	VARI-GREEN	VG-1/4	720	CFM	361	272										
				BHP	0.01	0.01										
			Sones	3.0	2.7											
			790	CFM	396	315	181									
				BHP	0.02	0.02	0.02									
			Sones	3.5	3.2	3										
		C-1/8	860	CFM	431	358	261									
				BHP	0.02	0.02	0.02									
		Sones	4.0	3.7	3.4											
		930	CFM	466	399	323										
			BHP	0.03	0.03	0.03										
		Sones	4.6	4.4	4.0											
		1000	CFM	501	439	372	259									
			BHP	0.03	0.04	0.04	0.04									
		Sones	5.3	5.1	4.7	4.4										
		1070	CFM	536	478	416	338									
			BHP	0.04	0.04	0.05	0.05									
		Sones	5.9	5.8	5.4	5.0										
B-1/6	1140	CFM	571	517	460	396	283									
		BHP	0.05	0.05	0.06	0.06	0.05									
Sones	6.6	6.5	6.1	5.7	5.5											
1315	CFM	659	612	564	513	456	362									
	BHP	0.08	0.08	0.08	0.09	0.09	0.08									
Sones	8.3	8.1	7.8	7.4	7.0	6.9										
1490	CFM	746	706	663	621	574	525	452	353							
	BHP	0.11	0.12	0.12	0.12	0.12	0.12	0.12	0.11							
Sones	10.1	9.9	9.8	9.3	8.9	8.6	8.5	8.4								
1670	CFM	836	800	763	725	686	645	603	550	466	377					
	BHP	0.16	0.16	0.16	0.17	0.17	0.17	0.17	0.18	0.17	0.16					
Sones	12.0	11.9	11.7	11.4	11.0	10.7	10.4	10.1	10.0	9.9						
1/4	A-1/4	1725	CFM	864	829	793	756	719	679	640	592	527	441			
			BHP	0.17	0.18	0.18	0.18	0.19	0.19	0.19	0.19	0.19	0.18			
Sones	12.7	12.5	12.3	12.1	11.7	11.4	11.1	10.8	10.6	10.5						

MAXIMUM BHP AT A GIVEN RPM = (RPM/2985)³
 MAXIMUM RPM = 1725
 TIP SPEED (ft/min) = RPM x 2.929
 MAXIMUM MOTOR FRAME SIZE = 56

Performance certified is for installation type A: Free inlet, Free outlet. Power rating (BHP) does not include transmission losses. Performance ratings include the effects of a birdscreen. The sound ratings shown are loudness values in hemispherical sones at 5 ft. (1.5 m) in a hemispherical free field calculated per AMCA Standard 301. Values shown are for installation type A: free inlet hemispherical sone levels.