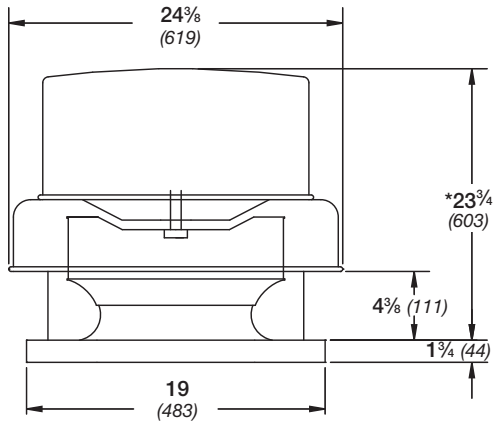
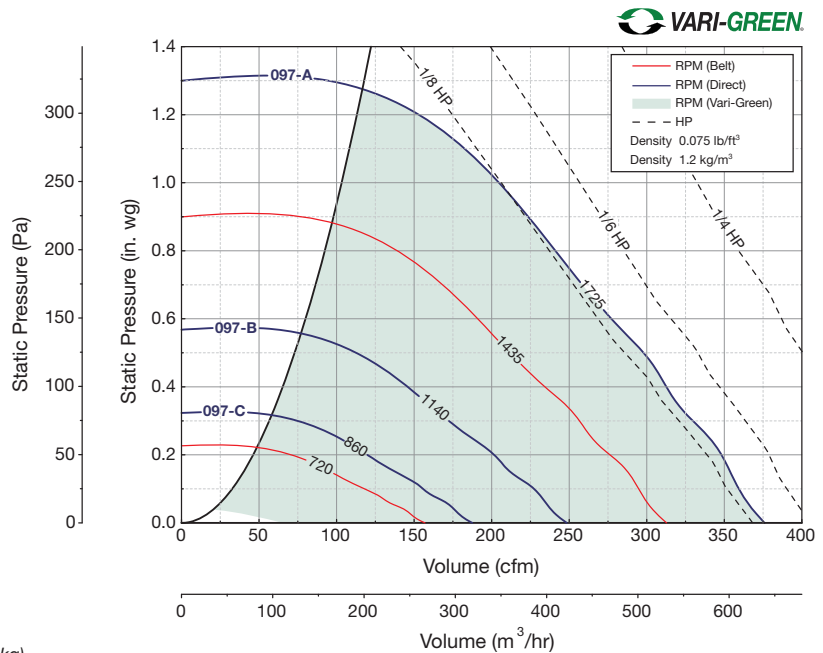


Roof Downblast Exhaust Size-097: GB • G Previously Size- GB-071



Damper Size = 12 x 12 (305 x 305)
 Roof Opening = 14 1/2 x 14 1/2 (368 x 368)
 Shroud Thickness = 0.051 (1.3)
 Motor Cover Thickness = 0.040 (1.0)
 Curb Cap Thickness = 0.064 (1.6)
 ^Approximate Unit Weight G/GB = 54/60 lbs. (24/27 kg)

All dimensions in inches (millimeters). *May be greater depending on motor. ^Weight shown is largest cataloged Open Drip-Proof motor.



Direct Drive RPM
 C-860 RPM B-1140 RPM A-1725 RPM VG-1725 RPM

Motor HP	Fan RPM		Static Pressure in Inches wg											
	Belt	Direct	0	0.125	0.25	0.375	0.5	0.625	0.75	0.875	1	1.125		
097														
1/6 or 1/8	VARI-GREEN VG-1/4	720	CFM	157	107									
			BHP	0.01	0.01									
			Sones	1.8	2.0									
		790	CFM	172	128	70								
			BHP	0.01	0.01	0.01								
			Sones	2.3	2.3	2.2								
		C-1/8 860	CFM	187	148	101								
			BHP	0.02	0.02	0.02								
			Sones	2.8	2.7	2.7								
		930	CFM	203	166	124								
			BHP	0.02	0.02	0.02								
			Sones	3.3	3.4	3.2								
		1000	CFM	218	184	146	100							
			BHP	0.03	0.03	0.03	0.02							
			Sones	3.9	4.0	3.9	3.6							
		1070	CFM	233	202	167	130							
			BHP	0.03	0.03	0.03	0.03							
			Sones	4.6	4.7	4.5	4.2							
B-1/6 1140	CFM	248	220	187	152	109								
	BHP	0.04	0.04	0.04	0.04	0.03								
	Sones	5.3	5.4	5.1	4.9	4.7								
1285	CFM	280	255	228	197	166	127							
	BHP	0.06	0.06	0.06	0.05	0.05	0.05							
	Sones	6.8	6.7	6.6	6.3	6.0	5.9							
1435	CFM	313	292	265	240	212	185	151						
	BHP	0.08	0.08	0.08	0.08	0.08	0.07	0.07						
	Sones	8.0	8.0	7.9	7.6	7.3	7.1	6.9						
1580	CFM	344	324	302	281	255	230	205	177	140				
	BHP	0.10	0.10	0.10	0.10	0.10	0.10	0.10	0.09	0.09				
	Sones	9.5	9.5	9.4	9.1	8.8	8.5	8.3	8.1	7.9				
A-1/4 1725	CFM	376	356	339	316	297	273	250	227	205	171			
	BHP	0.13	0.13	0.13	0.13	0.13	0.13	0.13	0.13	0.12	0.12			
	Sones	11.3	11.2	11.2	10.8	10.5	10.2	9.9	9.7	9.5	9.3			

MAXIMUM BHP AT A GIVEN RPM = (RPM/3371)³
 MAXIMUM RPM = 1725
 TIP SPEED (ft/min) = RPM x 2.929
 MAXIMUM MOTOR FRAME SIZE = 56

Performance certified is for installation type A: Free inlet, Free outlet. Power rating (BHP) does not include transmission losses. Performance ratings include the effects of a birdscreen. The sound ratings shown are loudness values in hemispherical sones at 5 ft. (1.5 m) in a hemispherical free field calculated per AMCA Standard 301. Values shown are for installation type A: free inlet hemispherical sone levels.