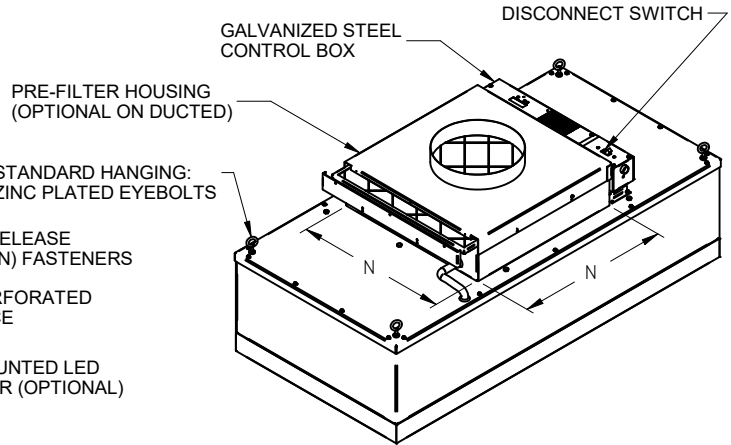
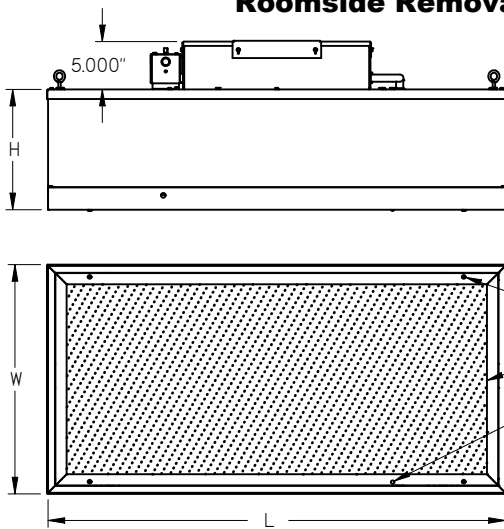


**Fan Filter Unit**  
**Roomside Removable Filter, Forward Curved Wheel, EC Motor**



**IMPERIAL UNITS (INCHES)**

UNIT SIZE	W	L	H	N	FILTER AREA (ft <sup>2</sup> )	MAX AMPS (115/208-240/277)
<input checked="" type="checkbox"/> 2x4	23.625	47.625	12.750	20.000	5.3	4.9/2.9/2.5
<input type="checkbox"/> 2x3	23.625	35.625	12.750	20.000	3.8	4.8/2.1/2.0
<input type="checkbox"/> 2x2	23.625	23.625	12.750	16.000	2.3	4.2/2.4/1.7

**SI UNITS (mm)**

UNIT SIZE	W	L	H	N	FILTER AREA (m <sup>2</sup> )	MAX AMPS (115/208-240/277)
<input type="checkbox"/> 2x4	600	1210	324	508	0.49	4.9/2.9/2.5
<input type="checkbox"/> 2x3	600	905	324	508	0.35	4.8/2.1/2.0
<input type="checkbox"/> 2x2	600	600	324	406	0.21	4.2/2.4/1.7

**STANDARD CONSTRUCTION:**

- FORWARD CURVED BLOWER WHEEL
- EC MOTOR, 50/60 Hz, 1 PHASE
- DISCONNECT SWITCH
- MOTOR/BLOWER ACCESSIBLE FROM ROOMSIDE AND TOPSIDE
- ROOMSIDE REMOVABLE FILTER, PACKAGED SEPARATELY FOR JOBSITE INSTALLATION BY OTHERS
- EXTRUDED ALUMINUM FILTER FRAME WITH URETHANE GEL
- WALKABLE PLENUM (250 LBS)
- STATIC PRESSURE AND AEROSOL SAMPLE PORT
- LAY IN CEILING INSTALLATION ONLY. FOR SURFACE MOUNT INSTALLATION ORDER SEPARATE HGMF FRAME. SEE HGMF SUBMITTAL (271137)
- SQUARE INLET COLLAR
- WASHABLE PRE-FILTER (NON-DUCTED UNITS)

**VOLTAGE:**

- 115V
- 208V
- 240V
- 277V

**SPEED CONTROL:**

- EC MOTOR STANDARD SPEED CONTROLLER
- BACnet FLOW CONTROLLER. MOTOR AND FILTER STATUS OVER BACnet. SEE 265794 FOR DETAILS

**PLENUM CONSTRUCTION:**

- ALUMINUM PLENUM, EXTRUDED KNIFE EDGE FRAME
- STAINLESS STEEL - 304 PLENUM & KNIFE EDGE FRAME

**FACE CONSTRUCTION:**

- ALUMINUM (EXTRUDED FRAME)
- STAINLESS STEEL - 304 PERF SCREEN & INNER FRAME

**PLENUM FINISH:**

- WASHED MILL ALUMINUM
- B12 - STANDARD WHITE
- STAINLESS STEEL - 2B PLENUM & STAINLESS STEEL - #4 KNIFE EDGE (OPTIONAL FINISH AVAILABLE)

**FACE FINISH:**

- WASHED MILL ALUMINUM
- B12 - STANDARD WHITE
- #4 STAINLESS STEEL (OPTIONAL FINISH AVAILABLE)

**FILTER:**

- HEPA, 99.99% @ 0.30 MICRON, IEST RP CC001.5 TYPE C
- ULPA, 99.9995% @ 0.12 MICRON, IEST RP CC001.5 TYPE F

**OPTIONS:**

- ROOM SIDE ACCESSIBLE CONTROLS (SEE ROOM SIDE SUBMITTAL 271781)
- WALL MOUNTED SPEED CONTROL (SEE FFUCS SUBMITTAL 269849)
- POWER CORD (8ft 115V or 6ft 277V)
- 10" ROUND INLET DUCT COLLAR
- 12" ROUND INLET DUCT COLLAR
- 14" ROUND INLET DUCT COLLAR
- MERV 8 PRE-FILTER (NON-DUCTED UNITS ONLY)
- MERV 8 PRE-FILTER WITH SIDE ACCESS HOUSING (DUCTED UNITS ONLY)
- WASHABLE PRE-FILTER WITH SIDE ACCESS HOUSING (DUCTED UNITS ONLY)
- 1/2" DIA. BARBED ROOMSIDE AEROSOL INJECTION PORT

**MOTOR PROGRAM:**

- CONSTANT FLOW
- CONSTANT TORQUE

**FILTER AND MOTOR STATUS LIGHTS:**

- TRI-COLOR FACE MOUNTED LED FILTER AND MOTOR STATUS LIGHT (AVAILABLE w/BACnet FLOW CONTROLLER ONLY)

**SEISMIC:**

- OSHPD SPECIAL SEISMIC CERTIFICATION PREAPPROVAL: OSP-0302-10. SEISMIC HANGER BRACKETS AND SPECIAL MOUNTING REQUIRED (SEE 266852 FOR DETAILS)



**NOTE:**  
 For ducted applications, reference FFU Service and Installation manual for balancing procedure.

ALL METRIC DIMENSIONS ( ) ARE SOFT CONVERTED. IMPERIAL DIMENSIONS ARE CONVERTED TO METRIC AND ROUNDED TO THE NEAREST MILLIMETER.

<b>PROJECT:</b> ODD STOCK	<b>PRICE</b>	
<b>ENGINEER:</b>	<i>KE</i>	<b>FFU</b>
<b>CUSTOMER:</b>		<b>RSR-FC-ECM</b>
<b>SUBMITTAL DATE:</b> 2/3/2021	<b>SPEC. SYMBOL:</b> FFU-1-3///EXSUPPLY	<b>265799</b>
	NOV 2020	

**FFU - FAN FILTER UNIT  
BACnet FLOW CONTROLLER (BFC)**



DIGITAL LCD DISPLAY  
2 ROW X 14 CHARACTERS

MENU  
BUTTON

DOWN & UP  
ARROW BUTTONS

BACNET MS/TP  
RJ45 JACKS

RJ12  
SERVICE  
JACK

BACNET MS/TP  
TERMINAL BLOCK  
CONNECTION

ECM MOTOR  
I/O JACKS

-24V COM

+24V HOT

PRESSURE TRANSDUCER  
FOR MEASURING  
FILTER LOAD

THERMISTOR INPUT  
(FOR MONITORING  
ENTERING AIR  
TEMPERATURE)

ANALOG  
INPUTS

CONTACT  
CLOSURE  
INPUT

BINARY  
OUTPUTS

ANALOG  
OUTPUTS

INPUT / OUTPUT DESCRIPTION	
<b>ANALOG OUTPUTS</b>	
A01	CONFIGURABLE FOR UNIT PRESSURE, CFM (AIR FLOW), RPM (MOTOR SPEED), FILTER LOAD & BAS
A02	CONFIGURABLE FOR UNIT PRESSURE, CFM (AIR FLOW), RPM (MOTOR SPEED), FILTER LOAD & BAS
<b>BINARY OUTPUTS</b>	
B01	RED LED OUT
B02	GREEN LED OUT
B03	COMMON
<b>ANALOG INPUTS</b>	
A11	INPUT VOLTAGE FOR REMOTE FAN SPEED CONTROL
A12	SPARE
<b>INPUTS</b>	
THERMISTOR INPUT	ANALOG INPUT FOR MONITORING AIR OVER FILTER TEMPERATURE, 10k TYPE J THERMISTOR
CONTACT CLOSURE	BINARY INPUT FOR NIGHT SETBACK

ALL METRIC DIMENSIONS ( ) ARE SOFT CONVERTED. IMPERIAL DIMENSIONS ARE CONVERTED TO METRIC AND ROUNDED TO THE NEAREST MILLIMETER.

<b>PROJECT:</b> ODD STOCK		<b>PRICE</b>	
<b>ENGINEER:</b>		<b>DK</b>	<b>FFU</b>
<b>CUSTOMER:</b>		265794	<b>BACnet FLOW CONTROLLER (BFC)</b>
<b>SUBMITTAL DATE:</b> 2/3/2021	<b>SPEC. SYMBOL:</b> FFU-1-3///EXSUPPLY	JAN 2019	