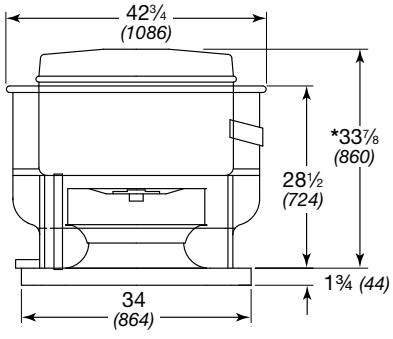
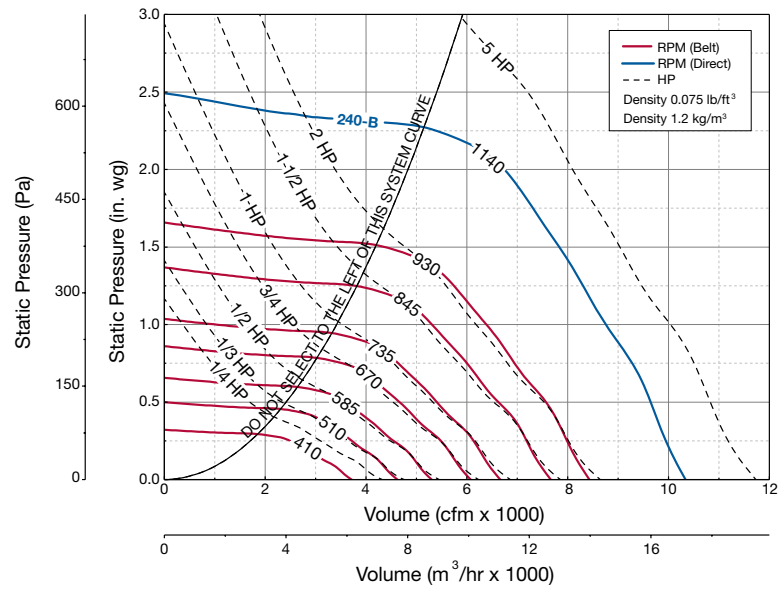


Roof Upblast/Sidewall Exhaust Size-240: CUBE • CUE



All dimensions in inches (millimeters), weight in pounds (kilograms).
 * May be greater depending on motor.
 ^ Weight shown is largest cataloged open drip-proof motor.

	CUBE	CUE
^Approximate Weight	142 (64)	226 (103)
Damper Size	24 x 24 (610 x 610)	
Roof/Wall Opening	26 1/2 x 26 1/2 (673 x 673)	
Wall Opening with a Curb Through Wall	34 x 34 (864 x 864)	N/A



Motor HP		Fan RPM	Static Pressure in Inches wg										
Belt	Direct		0	0.125	0.25	0.375	0.5	0.625	0.75	1	1.25	1.5	
240													
1/4		410	CFM	3717	3170	2471							
			BHP	0.16	0.18	0.18							
			Sones	6.4	5.8	5.3							
1/3		510	CFM	4623	4243	3717	3134						
			BHP	0.31	0.33	0.34	0.34						
			Sones	8.9	8.1	7.3	6.9						
1/2		585	CFM	5303	4961	4540	4093	3565					
			BHP	0.46	0.49	0.51	0.52	0.51					
			Sones	11.5	10.5	9.5	8.8	8.4					
3/4		628	CFM	5693	5368	5010	4590	4141	3600				
			BHP	0.57	0.61	0.63	0.64	0.65	0.63				
			Sones	12.9	11.9	11.1	10.4	9.8	9.4				
	670	CFM	6074	5763	5461	5052	4659	4202	3524				
		BHP	0.69	0.74	0.76	0.78	0.79	0.78	0.73				
		Sones	14.3	13.4	12.8	12.2	11.5	11.0	10.6				
1		735	CFM	6663	6370	6133	5764	5409	5037	4618			
			BHP	0.92	0.97	0.99	1.01	1.03	1.04	1.03			
			Sones	16.6	15.9	15.5	15.1	14.6	13.9	13.4			
1 1/2		790	CFM	7162	6883	6661	6361	6011	5693	5332	4453		
			BHP	1.14	1.20	1.22	1.25	1.27	1.28	1.29	1.24		
			Sones	18.2	17.5	17.2	16.8	16.3	15.7	15.0	14.3		
	845	CFM	7660	7400	7184	6947	6615	6304	6002	5282			
		BHP	1.39	1.46	1.49	1.51	1.54	1.56	1.57	1.56			
		Sones	19.6	19.0	18.6	18.2	17.6	17.0	16.4	15.4			
2	C-2	860	CFM	7796	7540	7326	7106	6779	6468	6176	5483	4363	
			BHP	1.47	1.54	1.57	1.59	1.62	1.64	1.66	1.65	1.52	
			Sones	20	19.8	19.4	19.0	18.4	17.8	17.2	16.2	15.9	
	930	CFM	8431	8194	7985	7798	7536	7233	6953	6375	5706	4324	
		BHP	1.86	1.93	1.98	2.00	2.03	2.06	2.08	2.10	2.07	1.83	
		Sones	24	23	23	22	22	21	19.9	18.7	17.8	17.9	
B-5	1140	CFM	10335	10142	9948	9789	9637	9484	9240	8747	8306	7820	
		BHP	3.42	3.51	3.60	3.64	3.67	3.70	3.74	3.81	3.85	3.87	
		Sones	40	40	40	41	40	39	37	33	30	29	

MAXIMUM BHP AT A GIVEN RPM = (RPM/725)³
 MAXIMUM RPM = 1140
 TIP SPEED (ft/min) = RPM x 6.413
 MAXIMUM MOTOR FRAME SIZE = 184T
 AVERAGE DISCHARGE VELOCITY (FPM) = CFM/3.76

Performance certified is for installation type A: Free inlet, Free outlet. Power rating (Bhp) does not include transmission losses. Performance ratings do not include the effects of appurtenances (accessories). The sound ratings shown are loudness values in fan sones at 5 ft. (1.5 m) in a hemispherical free field calculated per AMCA Standard 301. Values shown are for installation type A: Free inlet hemispherical sone levels.