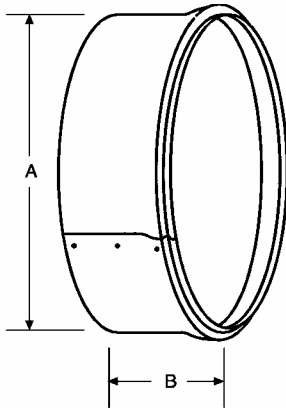


SUBMITTAL DATA

BUCKLEY METAL SPIN-IN COLLARS

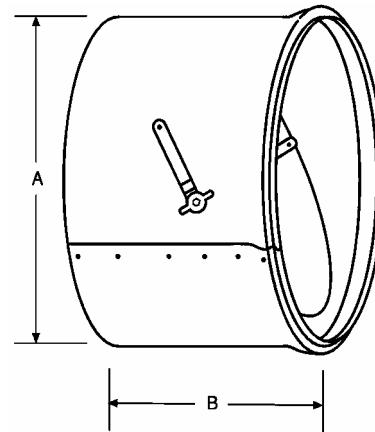
Models M & MD

M



**M SPIN-IN FITTING
(NO DAMPER)**

MD



**MD SPIN-IN FITTING
(WITH DAMPER)**

DIMENSIONAL DATA

Size	A	B	
	OD	M	MD
4	37/8	3¼	4¾
5	47/8	3	7
6	57/8	3	7
7	67/8	3	7
8	77/8	3	7
9	87/8	3	6½
10	97/8	3	6½
12	117/8	3	6½
14	137/8	3	6½
16	157/8	3	6½
18	177/8	3	7
20	197/8	3	7

Spin-In Fitting designs facilitate field installation of Takeoff Connections for Flex-Duct Run-Outs from square or rectangular Metal Ducts, to Grille and Register Boxes, Linear Grille, or Slot Diffuser Plenums, Troffer Diffusers, and Round Neck Ceiling Diffusers.

Factory installed dampers are equipped with quadrant operator, retractable spring-loaded threaded bearings, and wing lock nut.

Material - 26 Gauge Galvanized Steel

Note: All dimensions are in units of inches.

To maintain Buckley's policy of continuous improvement, we reserve the right to change prices, specifications, ratings or dimensions without notice or obligation. Manufactured by Sheet Metal Union Local 17.

MANUFACTURED BY: *Buckley Associates, Inc.* HANOVER, MA