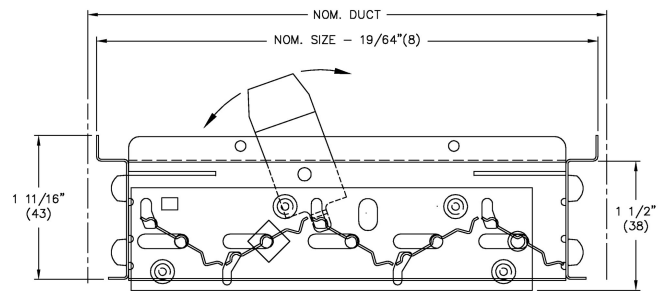
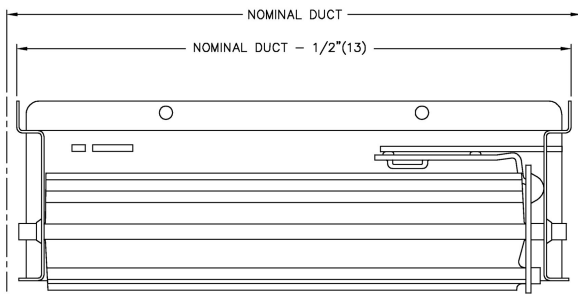
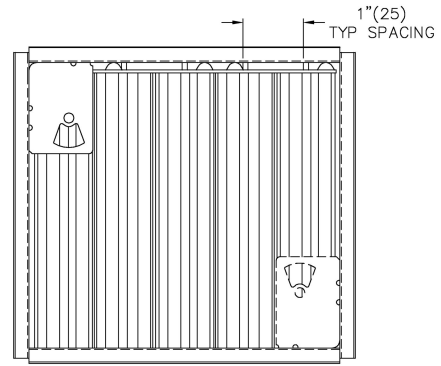
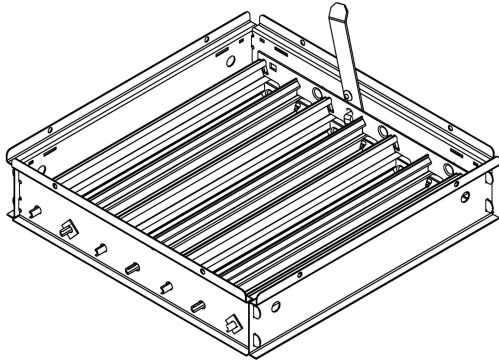


**VCS3 Opposed Blade Damper**



**Notes:**

- Used as a grille and diffuser accessory for mounting behind the outlet
- Operator I: Lever Operator for SMD, AMD, AMDE and AMDEX Applications
- Factory tolerance  $\pm 1/32$ " (1)

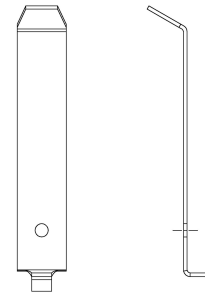
**Material:**

- Coated Steel Construction

**Finish:**

- MILL: Non Treated from the Mill - Unpainted

**Operator I:**



**PROJECT:**  
**ENGINEER:**  
**DESCRIPTION:** Opposed Blade Damper  
VCS3-1-1//12.000/12.000//MILL

**SUBMITTAL NO:** 261620  
**CUSTOMER:**

**SUBMITTAL DATE:** 6/24/2020