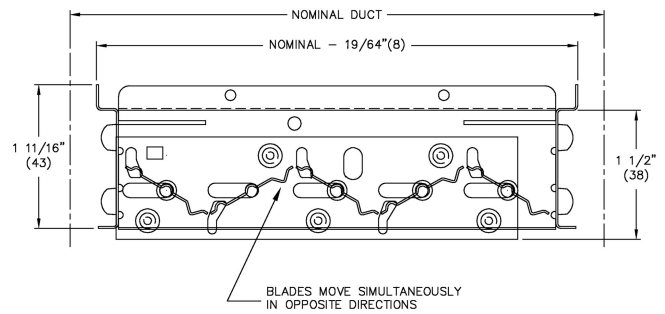
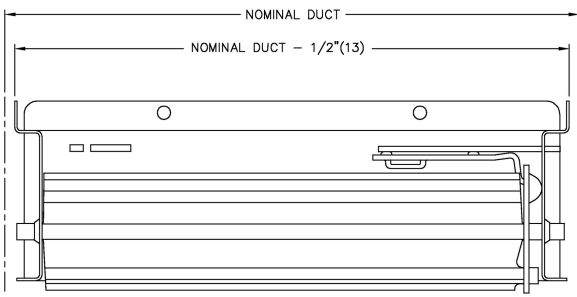
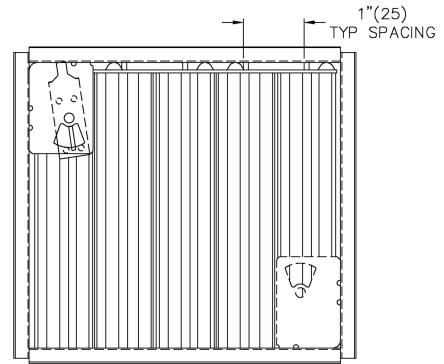
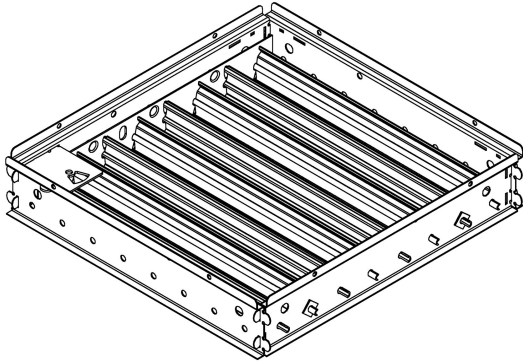


VCS3 Opposed Blade Damper



Notes:

- Used as a grille and diffuser accessory for mounting behind the outlet
- Operator A: Screwdriver Slot Operator
- Factory tolerance $\pm 1/32"$ (1)

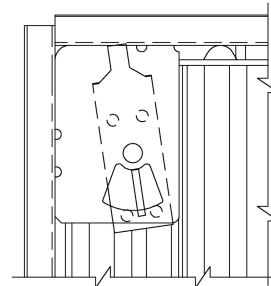
Material:

- Coated Steel Construction

Finish:

- MILL: Non Treated from the Mill - Unpainted

Operator A:



PROJECT:
ENGINEER:
DESCRIPTION: Opposed Blade Damper
VCS3-1-1//10.000/10.000/A/MILL

SUBMITTAL NO: 261620
CUSTOMER:

SUBMITTAL DATE: 6/24/2020