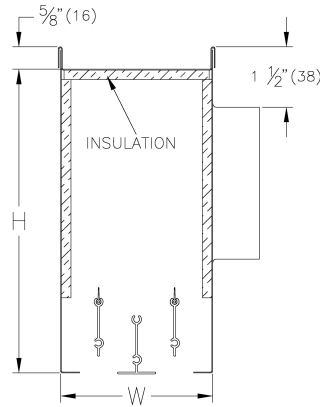
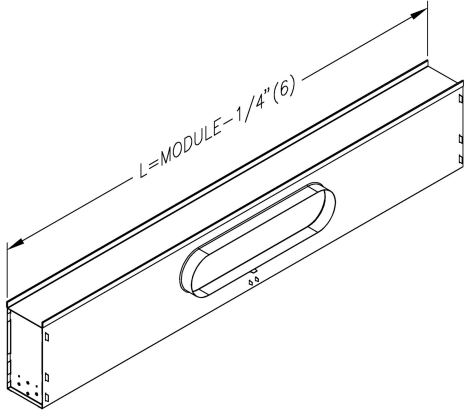


TBDI4100 1" Slot with Blade Pattern Controller

Module Length	Slot Quantity	Width (W)	Nom. Inlet	Height (H)
24"	2	4"	6" OVAL = 4" x 7"	8"



Material:

- Plenum: Coated Steel
- Pattern Controllers: Extruded Aluminum
- Centre Tee: Extruded Aluminum
- Blades are supplied with Vinyl Blade Edge Seal

Insulation Options:

- CF - Coated Fiberglass Insulation

Notes:

- 2 Slot Diffuser
- 1" (25) Slot Width
- Blades are field adjustable toward or away from the diffuser inlet side
- For use with 1" (25) flat tee ceiling grid
- Factory tolerance $\pm 1/32"$ (1)

Finish:

- Blades - B17: Black
- BFS: Black Face Surfaces
- Centre Tee - B12: Standard White

PROJECT:
ENGINEER:
DESCRIPTION: Insul T-Bar Supp Diff, Straight Blades, 1" Slots
TBDI4100//I/24/2//IMP/4x7//CF/BFS//B12

SUBMITTAL NO: 258591-B
CUSTOMER:

SUBMITTAL DATE: 6/24/2020