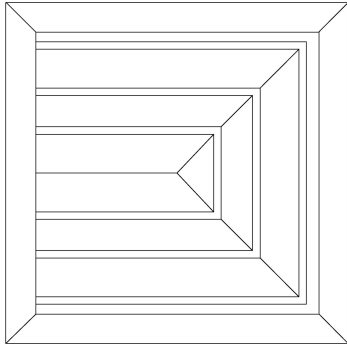
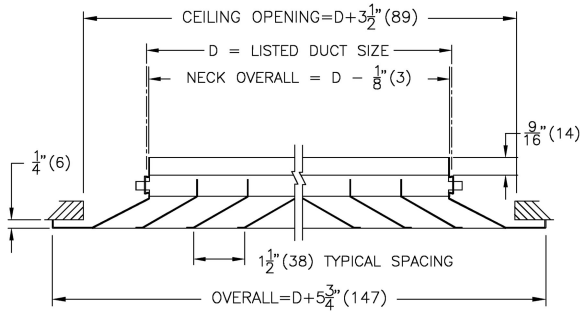


SMD Steel Modular Directional Diffuser

Core Style: 3A 3-Way, Style A for Square Inlet Neck



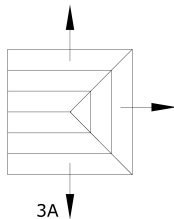
Border: 1 Flat Frame Surface Mount



Notes:

- Cores sized in increments of 3" (76) in both directions
- Directional core removable at diffuser face
- Factory tolerance $\pm 1/32"$ (1)

Plan View:



Material:

- Steel Construction

Finish:

- B12: Standard White

PROJECT:
ENGINEER:
DESCRIPTION: Steel Louvered Directional Diffuser
SMD///12/12/1/3A/////B12

SUBMITTAL NO: 258515-C
CUSTOMER:

SUBMITTAL DATE: 6/24/2020