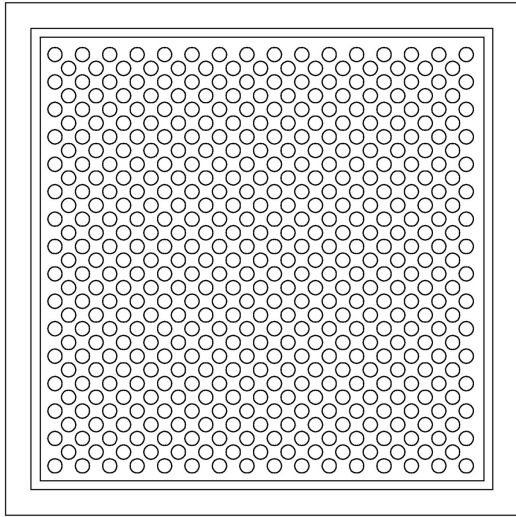
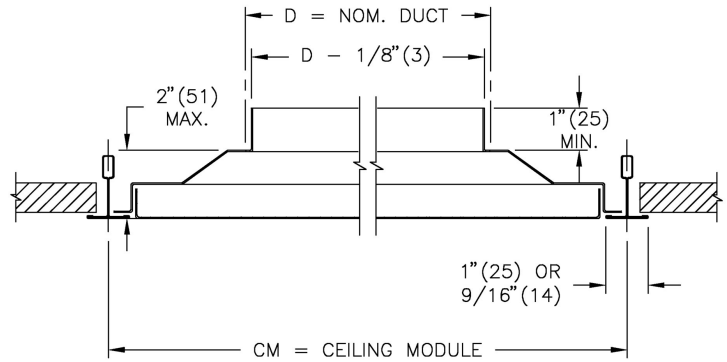


PDDR Ducted Steel Perforated Flush Face Return Diffuser



Ducted Return



Material:

- Steel Construction

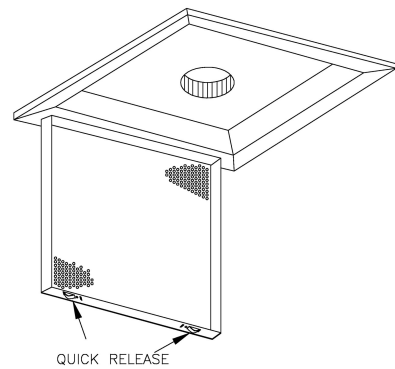
Finish:

- B12: Standard White

Notes:

- Hinged, removable perforated faceplate with quick-release spring latches
- Frame 3: T-bar lay-in for 1" and 9/16" flat tee
- Maximum backpan height is 2" (51)
- Factory tolerance $\pm 1/32" (1)$

Detail View:



PROJECT:
ENGINEER:
DESCRIPTION: Perfor Diffuser,(Non)/Ducted Return-Flush Face,Stl
PDDR//I/6//3/DCT/24/24///B12

SUBMITTAL NO: 258531-A
CUSTOMER:

SUBMITTAL DATE: 6/24/2020