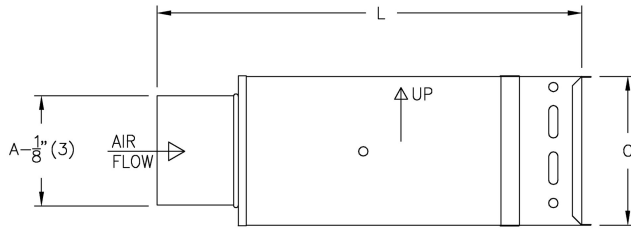
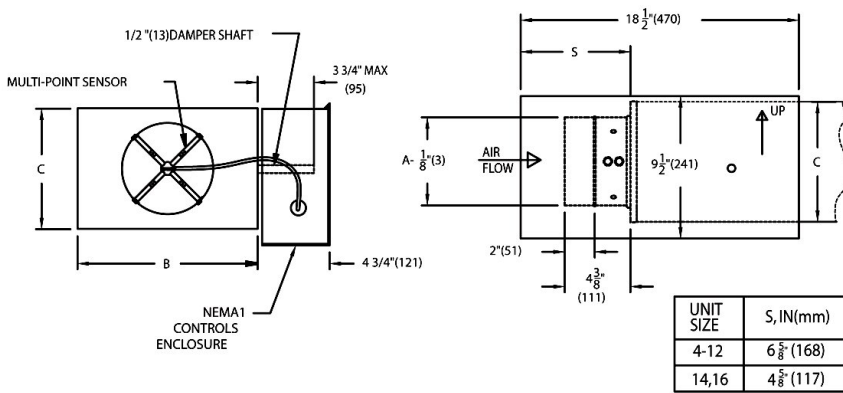


SDV5 Single Duct w/ Hot Water Coil



Unit Size	Max Airflow	Outlet		Inlet	Length (L)	
		B	C	A	1-2 Rows	3-4 Rows
6	550	12	8	6	25 1/8	27 3/8

Digital Controls



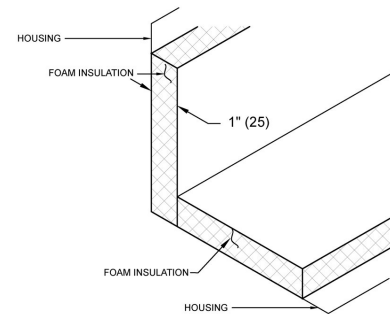
- Controls are supplied by controls contractor and field installed
- Controls Enclosure will be supplied as illustrated on right hand side unless specified otherwise
- PS - NEMA 1 Controls Enclosure, listed to UL50
- Multi-point Primary Airflow Sensor supplied by Price

Notes

- 22 Ga. zinc coated steel housing. Mechanically sealed and gasketed, leak resistant construction
- Rectangular discharge opening with slip and drive cleat duct connection

Liner FF1

Internal Insulation - Fiber Free Foam 1" (25mm) thick, min. 1.5 lb/cu.ft density, meets requirements of NFPA90A and UL 181
R-Value = 4



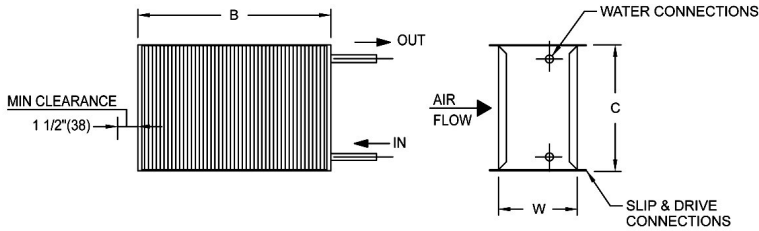
PROJECT: price odd stock
ENGINEER:
DESCRIPTION: Single Duct - DDC By Others
SDV5/1/2000/6/FLD/CFM/1R/0.0//AD//////////FF1//PS//////////

SUBMITTAL NO: 258148-M
CUSTOMER:

SUBMITTAL DATE: 9/17/2020

Water Coil 1R

1 Row Right Hand Connection

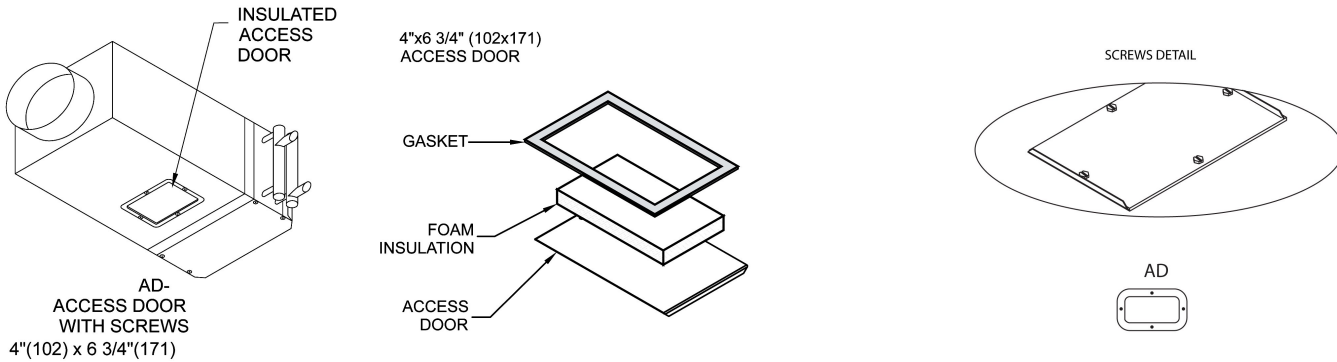


Inlet Size	B	C	Coil Connection ϕ		W	
			1 Row	2-4 Rows	1-2 Rows	3-4 Rows
4,5,6	12	8	1/2	7/8	5	7 1/4

Water Coil Notes

- Fabricated from 22 Ga. galvanized steel mechanically sealed, leak resistant construction
- Configuration of coil connection varies with size & circuitry of coil.
- Performance rated and certified in accordance with the current edition of AHRI standard 410
- Standard coils supplied with 10 fins per inch
- Hot water coils have copper tubes and aluminum fins with O.D. sweat connections
- Refer to submitted terminal unit schedule for air volumes and reheat coil capacities
- Method of venting reheat coil is to be provided by installing contractor
- Hand of water coil connections is determined when viewed from air inlet side

Coil Access Door



PROJECT: price odd stock
ENGINEER:
DESCRIPTION: Single Duct - DDC By Others
 SDV5/1/2000/6/FLD/CFM/1R/0.0//AD//////////FF1//PS//////////

SUBMITTAL NO: 258148-M
CUSTOMER:

SUBMITTAL DATE: 9/17/2020