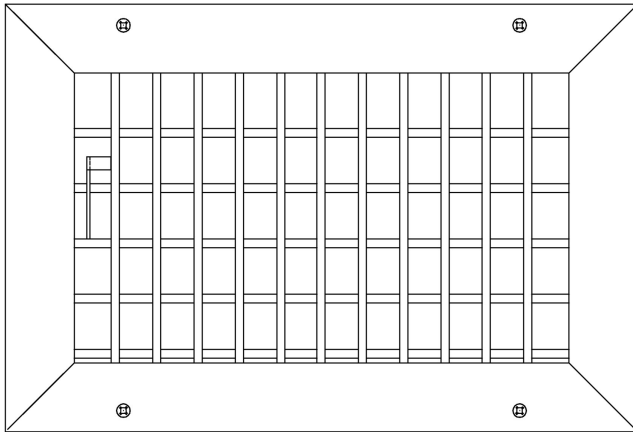
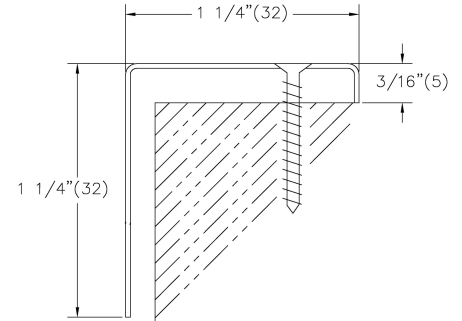


**540 Steel Supply Register with Multi-Louver Damper**

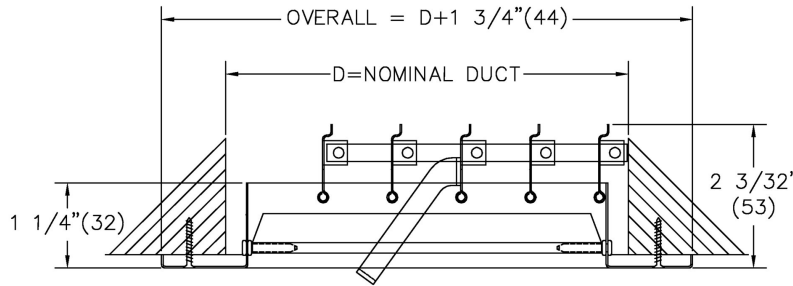


**Fastening:**

Countersunk Screwholes c/w Screws



**Border:** F  
1 1/4" Flat Frame



**Material:**

- Steel Construction

**Finish:**

- B12: Standard White

**Notes:**

- Front blades parallel to short dimension
- Front blades are adjustable for pattern direction control
- Face accessible operator for volume controlling multi-louver rear blades
- Factory tolerance  $\pm 1/32$ " (1)

**PROJECT:** price odd stock  
**ENGINEER:**  
**DESCRIPTION:** Supply Grille With Multi Louver Damper  
540//11/14/8/F/S//A/B12

**SUBMITTAL NO:** 261431  
**CUSTOMER:**

**SUBMITTAL DATE:** 9/22/2020