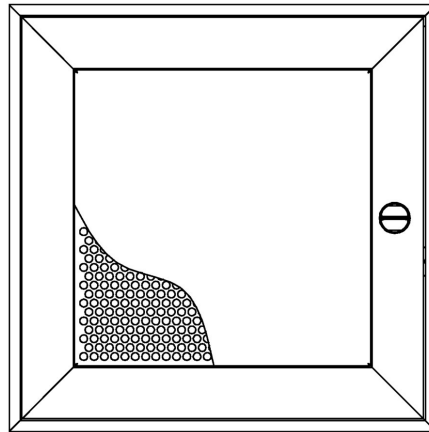
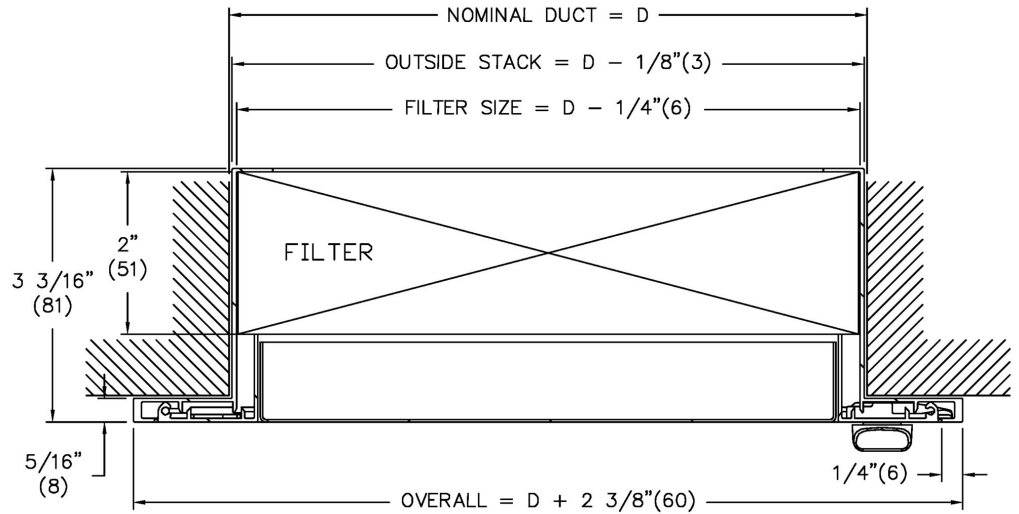


10AFF Aluminum Perforated Face Filter Grille



Border: SM
Sidewall Application
Surface Mount Border



Notes:

- Filter frame accepts 2" filter
- Filter media supplied by others
- Hinge tabs are parallel to the long dimension
- Quarter turn fastener location per factory standard
- Mounting holes in filter frame by installer
- Nominal duct size listed
- Factory tolerance: $\pm 1/32"$ (1)

Material:

- Aluminum Construction

Finish:

- B12: Standard White

PROJECT: price odd stock
ENGINEER:
DESCRIPTION: Alum. Perforated Face Filter Frame Return Grille
10AFF/I/20.000/20.000/SM/I/0/0/2////HL//B12

SUBMITTAL NO: 261074-D
CUSTOMER:

SUBMITTAL DATE: 9/16/2020