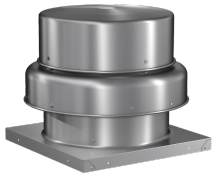
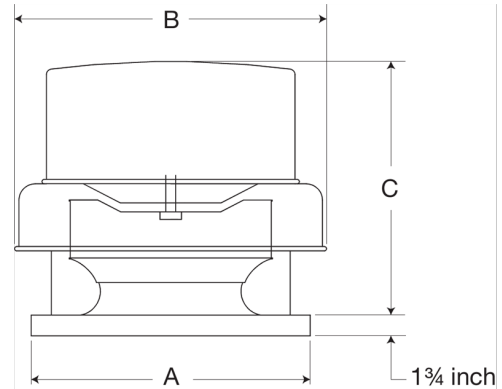


Centrifugal Downblast Exhaust Fan, Variable Speed, Model G-099, Direct Drive, Vari-Green EC motor, 1/6HP, 115/208-230V, 1Ph, 400-1307 CFM



Model G, direct drive centrifugal roof exhaust fans provide the industry's best performance and durability for general clean air applications where air is discharged downward, toward the roof. Units feature the most advanced motor cooling of any fan in its class.

- Centrifugal wheel provides high-efficiency and minimal sound
- True vibration isolation supports the motor and wheel for long life and quiet operation
- One-piece aluminum curb cap provides a weather-tight fit
- Positive motor cooling with fresh air results in maximum motor life
- Galvanized birdscreen protects the fan discharge from birds and small objects
- Energy-efficient, speed controllable, Vari-green® motor

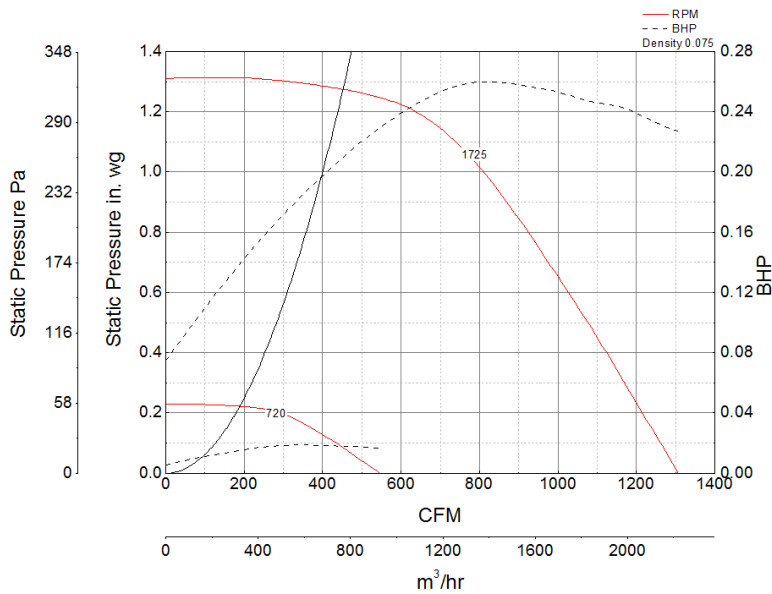


A	B	C
19 in	24.375 in	23.75 in

Certifications

AMCA Sound & Air
High Wind and Hurricane
Seismic
UL/cUL 705

Performance Characteristics



Construction Features

Drive Type	Direct Drive
Impeller Type	Centrifugal Wheel
Impeller Material	Aluminum
Housing Material	Spun Aluminum
Includes	Motor mounted potentiometer
Max Inlet Temp	180 °F
Certifications	AMCA Sound & Air High Wind and Hurricane Seismic UL/cUL 705
Speed Controllable	Yes
Required Accessory	Roof curbs for new installations

Motor Information

Service Factor	1.25
Phase	1
Voltage	115 208 230 277
HP	1/4
Hertz	60
Motor Enclosure	n/a
RPM	1800
Motor Insulation	B
Thermal Protection	Auto
Nominal Efficiency	85

Air and Sound Performance

Motor HP	Max BHP	Max Fan RPM	Min Fan RPM	Ps (in. wg)	0	0.125	0.25	0.375	0.5	0.625	0.75	0.875	1	1.25
1/4	0.02	720	0	CFM	546	403	-	-	-	-	-	-	-	-
				Sones	3.6	3.5	-	-	-	-	-	-	-	-
1/4	0.03	860	0	CFM	625	536	400	-	-	-	-	-	-	-
				Sones	4.9	4.7	4.5	-	-	-	-	-	-	-
1/4	0.07	1140	0	CFM	864	777	687	590	457	-	-	-	-	-
				Sones	8.3	8.1	7.6	7.1	6.8	-	-	-	-	-
1/4	0.15	1435	0	CFM	1,087	1,018	949	877	801	721	615	404	-	-
				Sones	10.7	10.5	10.3	9.9	9.6	9.3	9	8.4	-	-
1/4	0.26	1725	720	CFM	1,307	1,250	1,192	1,135	1,076	1,013	949	883	806	515
				Sones	13.6	13.5	13.4	13.2	12.9	12.6	12.3	12	11.8	10.4



- Greenheck Fan Corporation certifies that the model shown herein is licensed to bear the AMCA Seal. The ratings shown are based on tests and procedures performed in accordance with AMCA Publication 211 and AMCA Publication 311 and comply with the requirements of the AMCA Certified Ratings Program.
- Performance certified is for installation type A: Free inlet, Free outlet.
- Power rating (BHP/kW) does not include transmission losses.
- Performance ratings include the effects of birdscreen.
- The sound ratings shown are loudness values in fan sones at 5 ft. (1.5 m) in a hemispherical free field calculated per AMCA Standard 301. Values shown are for installation type A: free inlet hemispherical sone levels.

California Residents

 **WARNING**

This product can expose you to chemicals including cadmium used in the processing of corrosion resistant metal and fasteners, which is known to the State of California to cause cancer and birth defects or other reproductive harm. For more information visit www.P65Warnings.ca.gov