

# Model B Fusible Link (No Hooks)

## Model B Data Sheet

**Operating Temperatures:** 135F, 165F, 212F, 286F, 350F

**Underwriters Laboratory Listed:** Yes

**Operating Temperatures\*:** 370F, 386F, 586F

**Underwriters Laboratory Listed:** No

### Loading

**Minimum:** 1 lbs

**Maximum:** 10 lbs

### Size:

**Length:** 1.500 Inches

**Width:** .562 Inches

**Distance Between Centers:** .930 Inches

### Material:

**Stamping:** Steel

**Solder:** Bismuth Alloy

**Unit Weight:** .016 lbs

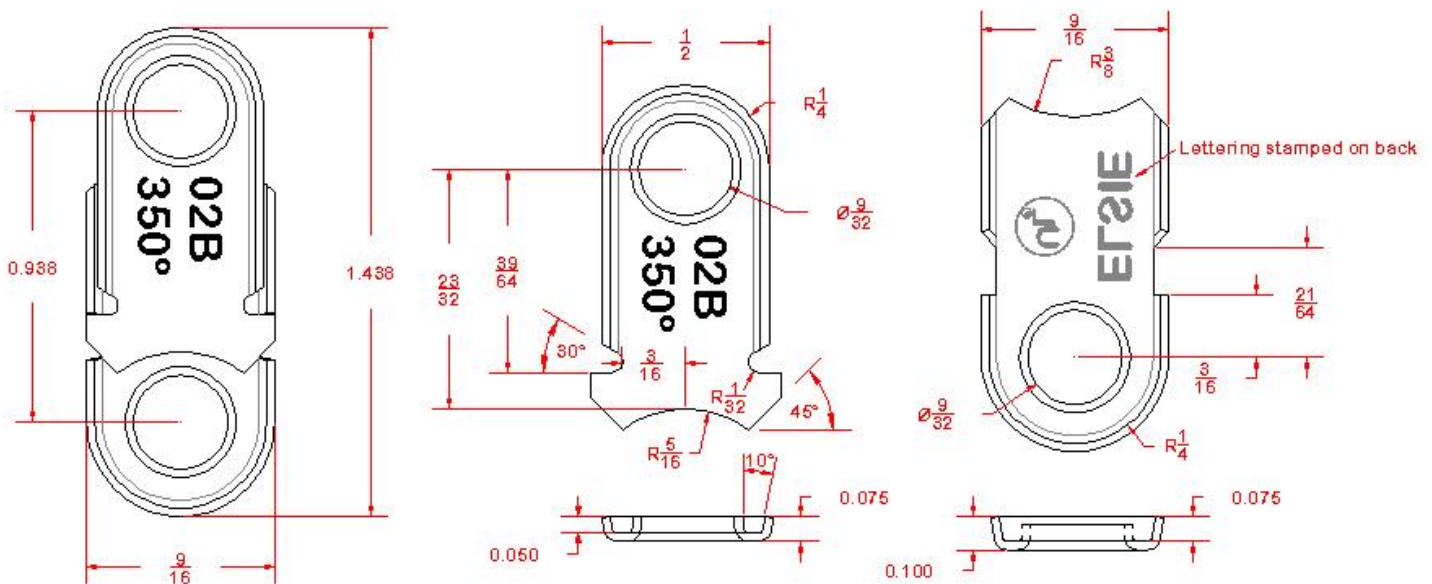
**Available with Long or Short Hooks:** Yes

# Acceptable Max. Ambient Temperatures For Specific Fusible Link Ratings. \*\*

Fusible Link Rating:	Maximum Recommended Ambient Temperature:
135F (57C)	100F (38C)
165F (74C)	100F (38C)
212F (100C)	150F (66C)
286F (141C)	225F (107C)
350F (177C)	300F (149C)
370F (188C)	300F (149C)
386F (197C)	375F (191C)
536F (280C)	475F (246C)

\* Many other Temperatures Available (non-UL listed)

\*\* Numbers derived from [Elsie Mfg. Maximum Recommended Ambient Temperatures Table](#)



Material Thickness 0.025