



SKU  
CSP-A510-QD

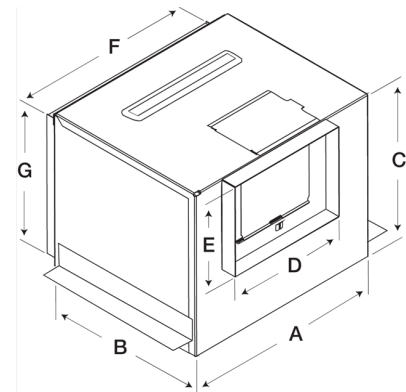
Job Name:  
Mark:  
Submitted By:  
Date: 07/07/2020

## Inline Cabinet Fan, Model CSP-A510, 115V, 1 Ph, 325-545 CFM



Model CSP inline fans are high performance fans designed for exhaust, supply or return air applications where low sound level are required. Units feature an insulated, galvanized steel housing with a forward-curved wheel.

- Acoustic insulation absorbs sound for quiet operation
- Vertical electrical access to eliminate drilling holes
- Large electrical junction box for easy wiring
- Adjustable mounting brackets for multiple installation conditions
- Embossed, galvanized steel housing for rigidity
- Speed controllable motor
- Easy access to internal components through access panels

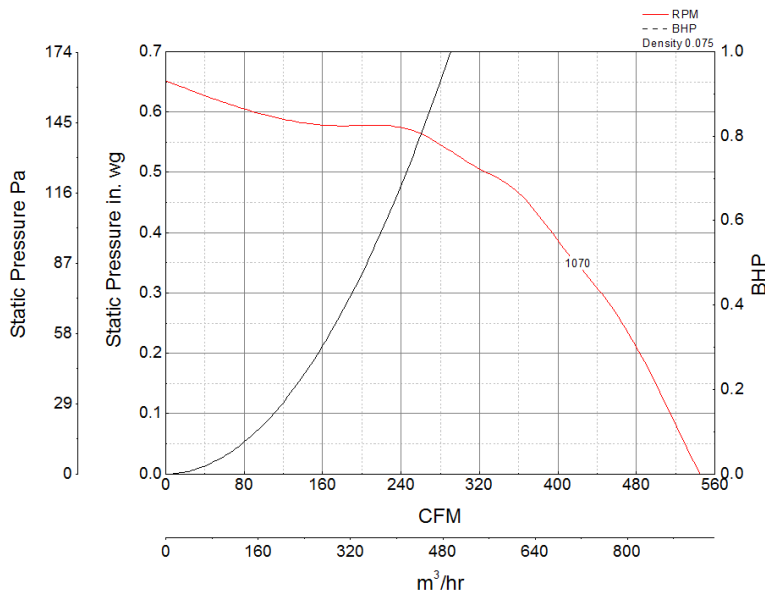


A	B	C	D	E	F	G
18 in	14.375 in	14.5 in	8 in	8 in	16.875 in	13.25 in

### Certifications

AMCA Air  
UL/cUL 507

### Performance Characteristics



### Construction Features

Drive Type	Direct Drive
Impeller Type	Centrifugal Wheel
Impeller Material	Polypropylene
Housing Material	Galvanized Steel
Includes	Access Panel Backdraft damper Mounting brackets
Certifications	AMCA Air UL/cUL 507
Speed Controllable	Yes

### Motor Information

Service Factor	1
Phase	1
Voltage	115
Hertz	60
Motor Enclosure	n/a
RPM	1070
Motor Insulation	B
Thermal Protection	Auto
Nominal Efficiency	26
Watts	52.2

### Air and Sound Performance

Watts	Max Fan RPM	Min Fan RPM	Ps (in. wg)	0	0.125	0.25	0.375	0.5
218	1070	856	CFM	545	507	464	406	325
			Sones	3.1	2.8	2.8	2.7	3.1



- Greenheck Fan Corporation certifies that the CSP models shown herein are licensed to bear the AMCA seal.
- The ratings shown are based on tests and procedures performed in accordance with AMCA Publication 211 and comply with the requirements of the AMCA Certified Ratings Program.
- The CSP models are not AMCA certified with 50 hertz motors.

## California Residents

 **WARNING**

This product can expose you to chemicals including cadmium used in the processing of corrosion resistant metal and fasteners, which is known to the State of California to cause cancer and birth defects or other reproductive harm. For more information visit [www.P65Warnings.ca.gov](http://www.P65Warnings.ca.gov)