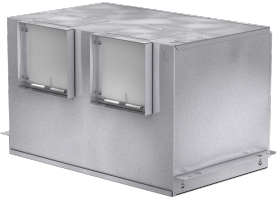
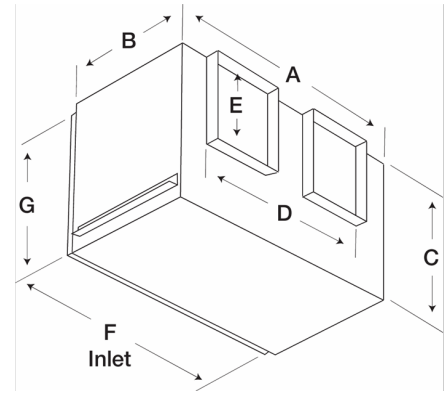


## Inline Cabinet Fan, Model CSP-A1050, 115V, 1 Ph, 752-1244 CFM



Model CSP inline fans are high performance fans designed for exhaust, supply or return air applications where low sound level are required. Units feature an insulated, galvanized steel housing with a forward-curved wheel.

- Acoustic insulation absorbs sound for quiet operation
- Vertical electrical access to eliminate drilling holes
- Large electrical junction box for easy wiring
- Adjustable mounting brackets for multiple installation conditions
- Embossed, galvanized steel housing for rigidity
- Speed controllable motor
- Easy access to internal components through access panels

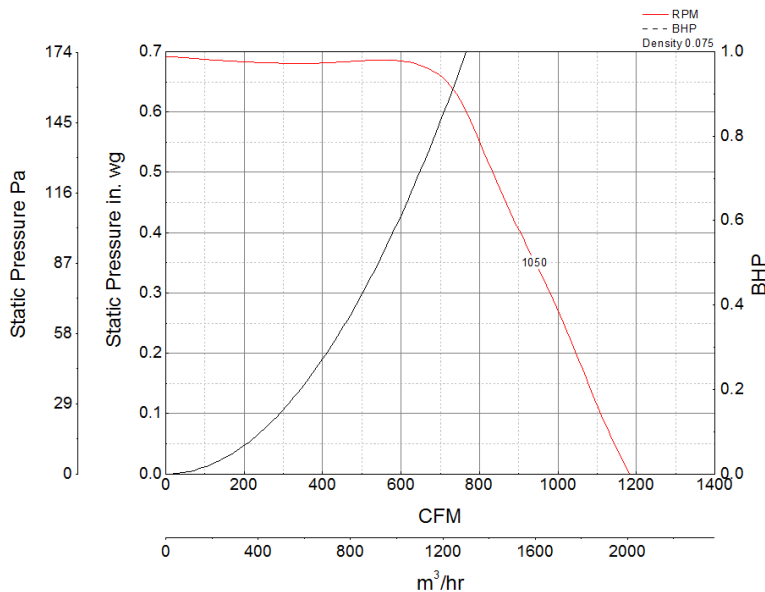


A	B	C	D	E	F	G
23.75 in	14.375 in	14.5 in	17.4375 in	8 in	22.625 in	13.25 in

### Certifications

AMCA Air  
UL/cUL 507

### Performance Characteristics



### Construction Features

Drive Type	Direct Drive
Impeller Type	Centrifugal Wheel
Impeller Material	Polypropylene
Housing Material	Galvanized Steel
Includes	Access Panel Backdraft damper Mounting brackets
Certifications	AMCA Air UL/cUL 507
Speed Controllable	Yes

### Motor Information

Service Factor	1
Phase	1
Voltage	115
Hertz	60
Motor Enclosure	n/a
RPM	1095
Motor Insulation	B
Thermal Protection	Auto
Nominal Efficiency	37
Watts	190

### Air and Sound Performance

Watts	Max Fan RPM	Min Fan RPM	Ps (in. wg)	0	0.125	0.25	0.375	0.5	0.625
469	1095	876	CFM	1,182	1,093	1,013	922	832	743
			Sones	2.5	2.5	2.5	2.5	2.5	2.5



- Greenheck Fan Corporation certifies that the CSP models shown herein are licensed to bear the AMCA seal.
- The ratings shown are based on tests and procedures performed in accordance with AMCA Publication 211 and comply with the requirements of the AMCA Certified Ratings Program.
- The CSP models are not AMCA certified with 50 hertz motors.

## California Residents

 **WARNING**

This product can expose you to chemicals including cadmium used in the processing of corrosion resistant metal and fasteners, which is known to the State of California to cause cancer and birth defects or other reproductive harm. For more information visit [www.P65Warnings.ca.gov](http://www.P65Warnings.ca.gov)