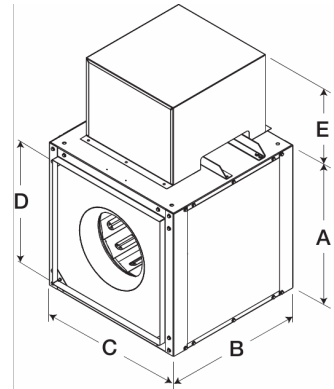


# Centrifugal Inline Fan, Model BSQ-140, Belt Drive, Less Motor & Drive Package, 785-3262 CFM



Model BSQ centrifugal inline fan features a unique combination of installation flexibility, rugged construction, ease of service, high efficiency and low sound levels. These compact fans are the ideal selection for indoor clean air applications including intake, exhaust, return or make-up air.

- Removable access panels allow easy access to all interior components
- Aluminum, centrifugal wheel delivers maximum efficiency
- Inlet and discharge duct collars allow for easy duct connection
- Rigid, galvanized steel housing construction
- Factory tested bearings designed specifically for air handling applications with a minimum L<sub>10</sub> life in excess of 100,000 hours

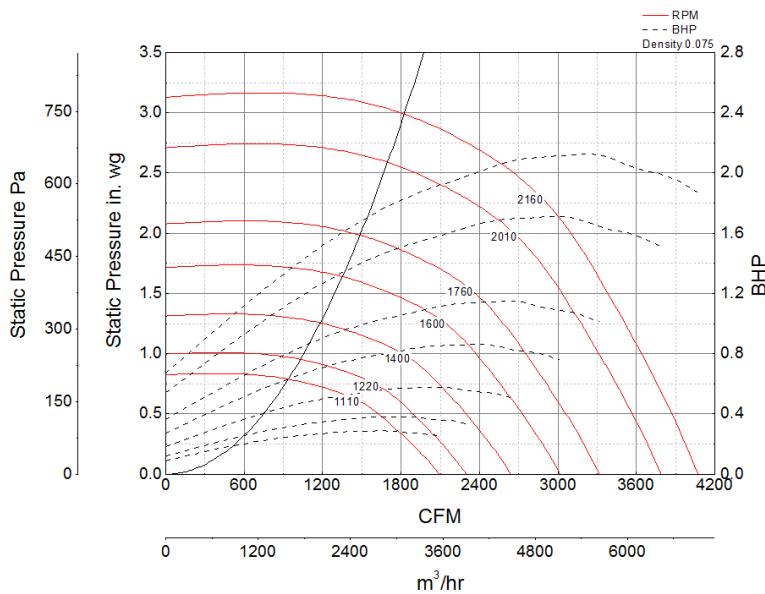


A	B	C	D	E
23 in	22 in	23 in	19.875 in	12.5 in

### Certifications

AMCA Sound & Air  
UL/cUL 705

### Performance Characteristics



### Construction Features

Drive Type	Belt Drive
Impeller Type	Centrifugal Wheel
Impeller Material	Aluminum
Housing Material	Galvanized Steel
Includes	Motor cover
Max Inlet Temp	160 °F
Certifications	AMCA Sound & Air UL/cUL 705
Drive Package Description	No drive package included

### Motor Information

Motor Included	No
----------------	----

# Air and Sound Performance

Motor HP	Max BHP	Max Fan RPM	Min Fan RPM	Ps (in. wg)	0	0.125	0.25	0.375	0.5	0.625	0.75	0.875	1	1.25	1.5	1.75	2	2.25	2.5	2.75		
1/4	0.15	890	790	CFM	1,678	1,550	1,399	1,203	785	-	-	-	-	-	-	-	-	-	-	-	-	
				Sone <sub>s</sub>	7.4	7.6	7.9	7.2	4.9	-	-	-	-	-	-	-	-	-	-	-	-	-
1/4	0.29	1110	890	CFM	2,093	1,994	1,882	1,759	1,623	1,428	1,095	-	-	-	-	-	-	-	-	-	-	-
				Sone <sub>s</sub>	11.2	11.1	11.1	11.2	11	9.4	7.5	-	-	-	-	-	-	-	-	-	-	-
1/3	0.20	980	810	CFM	1,848	1,735	1,601	1,452	1,235	-	-	-	-	-	-	-	-	-	-	-	-	-
				Sone <sub>s</sub>	9.2	9.3	9.4	9.6	7.3	-	-	-	-	-	-	-	-	-	-	-	-	-
1/3	0.38	1220	980	CFM	2,301	2,211	2,112	2,004	1,890	1,762	1,577	1,304	-	-	-	-	-	-	-	-	-	-
				Sone <sub>s</sub>	12.7	12.5	12.4	12.4	12.4	12.2	11.6	10.8	-	-	-	-	-	-	-	-	-	-
1/2	0.15	900	780	CFM	1,697	1,571	1,422	1,235	856	-	-	-	-	-	-	-	-	-	-	-	-	-
				Sone <sub>s</sub>	7.5	7.8	8	7.4	5.2	-	-	-	-	-	-	-	-	-	-	-	-	-
1/2	0.30	1120	900	CFM	2,112	2,014	1,903	1,781	1,648	1,460	1,154	-	-	-	-	-	-	-	-	-	-	-
				Sone <sub>s</sub>	11.3	11.3	11.2	11.3	11.2	9.7	7.9	-	-	-	-	-	-	-	-	-	-	-
1/2	0.58	1400	1120	CFM	2,640	2,562	2,482	2,390	2,295	2,195	2,088	1,966	1,793	-	-	-	-	-	-	-	-	-
				Sone <sub>s</sub>	14.8	14.6	14.4	14.3	14.3	14.1	14	13.9	13.7	-	-	-	-	-	-	-	-	-
3/4	0.44	1280	1060	CFM	2,414	2,328	2,236	2,135	2,027	1,911	1,769	1,580	1,254	-	-	-	-	-	-	-	-	-
				Sone <sub>s</sub>	13.6	13.4	13.1	13.1	13.1	13.1	13.1	13	12.9	-	-	-	-	-	-	-	-	-
3/4	0.86	1600	1280	CFM	3,017	2,949	2,880	2,805	2,725	2,642	2,555	2,468	2,370	2,117	1,719	-	-	-	-	-	-	-
				Sone <sub>s</sub>	17	16.8	16.6	16.6	16.6	16.6	16.3	16	15.7	14.9	13.8	-	-	-	-	-	-	-
1	0.59	1410	1170	CFM	2,659	2,581	2,502	2,411	2,317	2,218	2,113	1,997	1,825	1,274	-	-	-	-	-	-	-	-
				Sone <sub>s</sub>	14.9	14.7	14.5	14.4	14.4	14.2	14.1	14	13.8	13.2	-	-	-	-	-	-	-	-
1	1.14	1760	1410	CFM	3,319	3,257	3,194	3,131	3,059	2,986	2,910	2,831	2,752	2,578	2,342	2,007	-	-	-	-	-	-
				Sone <sub>s</sub>	19.8	19.3	19	19	18.9	18.7	18.7	18.6	18.4	17.8	17.1	16.1	-	-	-	-	-	-
1 1/2	0.88	1610	1400	CFM	3,036	2,968	2,900	2,826	2,746	2,664	2,578	2,491	2,395	2,149	1,767	-	-	-	-	-	-	-
				Sone <sub>s</sub>	17.2	16.9	16.7	16.7	16.7	16.7	16.4	16.1	15.8	15	13.9	-	-	-	-	-	-	-
1 1/2	1.71	2010	1610	CFM	3,790	3,736	3,681	3,627	3,571	3,507	3,443	3,379	3,312	3,173	3,027	2,870	2,633	2,342	1,899	-	-	-
				Sone <sub>s</sub>	26	26	25	25	26	26	25	25	25	24	24	23	23	22	20	-	-	-
2	1.09	1730	1540	CFM	3,262	3,199	3,136	3,071	2,996	2,922	2,844	2,764	2,684	2,504	2,246	1,866	-	-	-	-	-	
				Sone <sub>s</sub>	19.1	18.7	18.3	18.3	18.2	18.1	18.1	18	17.8	17.2	16.4	15.2	-	-	-	-	-	-
2	2.12	2160	1730	CFM	4,073	4,023	3,972	3,921	3,870	3,815	3,755	3,696	3,637	3,510	3,381	3,242	3,096	2,883	2,659	2,298	-	
				Sone <sub>s</sub>	32	31	30	30	31	32	31	30	30	30	29	28	28	27	26	25	-	-



- Greenheck Fan Corporation certifies that the model shown herein is licensed to bear the AMCA Seal. The ratings shown are based on tests and procedures performed in accordance with AMCA Publication 211 and AMCA Publication 311 and comply with the requirements of the AMCA Certified Ratings Program.
- Performance certified is for installation type B: Free inlet, Ducted outlet.
- Power rating (BHP/kW) includes transmission losses.
- Performance ratings do not include the effects of appurtenances (accessories).
- The inlet sound ratings shown are loudness values in fan sones at 5 ft. (1.5 m) in a hemispherical free field calculated per AMCA Standard 301. Values shown are for installation type B: free inlet hemispherical sone levels.

## California Residents

### WARNING

This product can expose you to chemicals including cadmium used in the processing of corrosion resistant metal and fasteners, which is known to the State of California to cause cancer and birth defects or other reproductive harm. For more information visit [www.P65Warnings.ca.gov](http://www.P65Warnings.ca.gov)