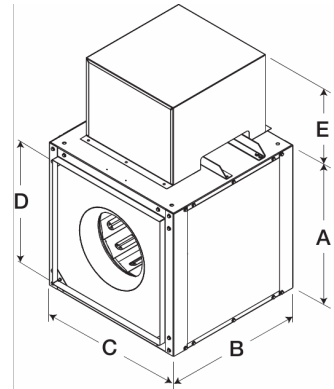


# Centrifugal Inline Fan, Model BSQ-100, Belt Drive, Less Motor & Drive Package, 520-1686 CFM



Model BSQ centrifugal inline fan features a unique combination of installation flexibility, rugged construction, ease of service, high efficiency and low sound levels. These compact fans are the ideal selection for indoor clean air applications including intake, exhaust, return or make-up air.

- Removable access panels allow easy access to all interior components
- Aluminum, centrifugal wheel delivers maximum efficiency
- Inlet and discharge duct collars allow for easy duct connection
- Rigid, galvanized steel housing construction
- Factory tested bearings designed specifically for air handling applications with a minimum L<sub>10</sub> life in excess of 100,000 hours

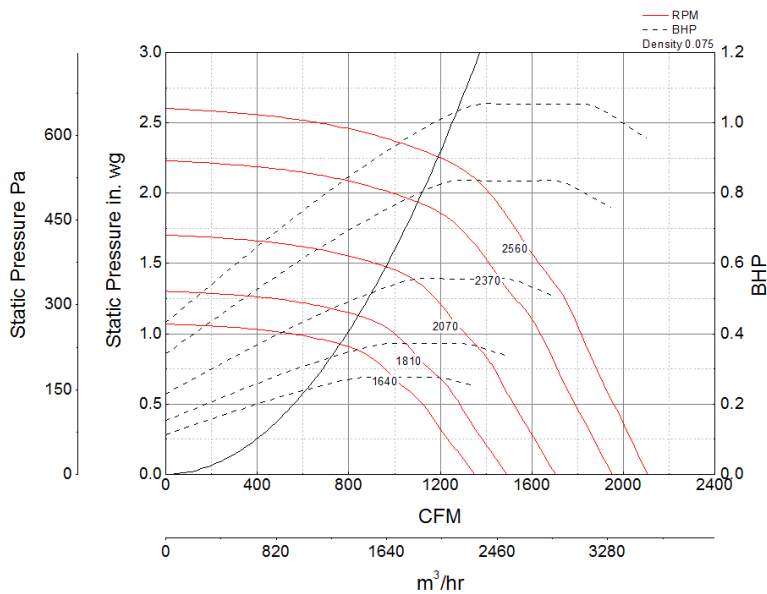


A	B	C	D	E
17 in	21 in	17 in	13.875 in	12.5 in

### Certifications

AMCA Sound & Air  
UL/cUL 705

### Performance Characteristics



Note: The maximum FRPM for each motor horsepower is shown. For additional performance ranges available for this fan, refer to the performance table.

### Construction Features

Drive Type	Belt Drive
Impeller Type	Centrifugal Wheel
Impeller Material	Aluminum
Housing Material	Galvanized Steel
Includes	Motor cover
Max Inlet Temp	160 °F
Certifications	AMCA Sound & Air UL/cUL 705
Drive Package Description	No drive package included

### Motor Information

Motor Included	No
----------------	----

## Air and Sound Performance

Motor HP	Max BHP	Max Fan RPM	Min Fan RPM	Ps (in. wg)	0	0.125	0.25	0.375	0.5	0.625	0.75	0.875	1	1.25	1.5	1.75	2	2.25
1/4	0.04	850	790	CFM	699	590	-	-	-	-	-	-	-	-	-	-	-	-
				Sones	6.1	6	-	-	-	-	-	-	-	-	-	-	-	-
1/4	0.08	1060	850	CFM	872	783	683	520	-	-	-	-	-	-	-	-	-	-
				Sones	7.9	7.6	7.3	7	-	-	-	-	-	-	-	-	-	-
1/4	0.14	1320	1060	CFM	1,086	1,015	944	861	757	-	-	-	-	-	-	-	-	-
				Sones	10.6	10.5	9.8	9.3	8.8	-	-	-	-	-	-	-	-	-
1/4	0.28	1640	1320	CFM	1,349	1,292	1,235	1,177	1,122	1,038	957	841	-	-	-	-	-	-
				Sones	14.5	14.3	13.9	13.1	12.6	12	11.5	10.8	-	-	-	-	-	-
1/3	0.05	930	840	CFM	765	664	531	-	-	-	-	-	-	-	-	-	-	-
				Sones	6.7	6.5	6.4	-	-	-	-	-	-	-	-	-	-	-
1/3	0.10	1160	930	CFM	954	873	794	677	-	-	-	-	-	-	-	-	-	-
				Sones	8.8	8.6	8.2	7.8	-	-	-	-	-	-	-	-	-	-
1/3	0.19	1450	1160	CFM	1,193	1,128	1,063	1,001	910	812	-	-	-	-	-	-	-	-
				Sones	12.2	12.1	11.4	10.8	10.2	9.7	-	-	-	-	-	-	-	-
1/3	0.37	1810	1450	CFM	1,489	1,437	1,385	1,333	1,282	1,229	1,153	1,080	995	-	-	-	-	-
				Sones	15.6	15.3	15	14.3	13.8	13.7	13.6	13.3	12.7	-	-	-	-	-
1/2	0.15	1330	1070	CFM	1,094	1,024	953	872	770	-	-	-	-	-	-	-	-	-
				Sones	10.8	10.6	9.9	9.4	8.9	-	-	-	-	-	-	-	-	-
1/2	0.29	1660	1330	CFM	1,366	1,309	1,252	1,195	1,143	1,061	981	884	-	-	-	-	-	-
				Sones	14.6	14.4	14	13.2	12.8	12.3	11.8	11.2	-	-	-	-	-	-
1/2	0.56	2070	1660	CFM	1,703	1,658	1,612	1,567	1,521	1,476	1,434	1,375	1,308	1,174	-	-	-	-
				Sones	17.5	17.2	16.8	16.5	16.2	15.8	15.8	15.9	15.9	15.4	-	-	-	-
3/4	0.43	1900	1540	CFM	1,563	1,514	1,464	1,415	1,365	1,319	1,254	1,183	1,113	-	-	-	-	-
				Sones	16.3	15.9	15.5	15.1	14.5	14.4	14.5	14.4	14.2	-	-	-	-	-
3/4	0.84	2370	1900	CFM	1,950	1,910	1,871	1,831	1,791	1,751	1,711	1,674	1,637	1,526	1,414	1,283	-	-
				Sones	19.5	19.6	19.4	19.1	18.8	19.1	19	18.7	18.6	18.1	18.1	17.6	-	-
1	0.54	2050	1720	CFM	1,686	1,641	1,595	1,549	1,503	1,458	1,415	1,352	1,286	1,147	-	-	-	-
				Sones	17.4	17.1	16.7	16.3	16	15.6	15.6	15.7	15.7	15.2	-	-	-	-
1	1.05	2560	2050	CFM	2,106	2,069	2,033	1,996	1,959	1,922	1,885	1,849	1,814	1,738	1,630	1,527	1,407	1,193
				Sones	21	21	21	21	21	21	21	21	21	21	20	19.7	19.8	19.5



- Greenheck Fan Corporation certifies that the model shown herein is licensed to bear the AMCA Seal. The ratings shown are based on tests and procedures performed in accordance with AMCA Publication 211 and AMCA Publication 311 and comply with the requirements of the AMCA Certified Ratings Program.
- Performance certified is for installation type B: Free inlet, Ducted outlet.
- Power rating (BHP/kW) includes transmission losses.
- Performance ratings do not include the effects of appurtenances (accessories).
- The inlet sound ratings shown are loudness values in fan sones at 5 ft. (1.5 m) in a hemispherical free field calculated per AMCA Standard 301. Values shown are for installation type B: free inlet hemispherical sone levels.

## California Residents

### WARNING

This product can expose you to chemicals including cadmium used in the processing of corrosion resistant metal and fasteners, which is known to the State of California to cause cancer and birth defects or other reproductive harm. For more information visit [www.P65Warnings.ca.gov](http://www.P65Warnings.ca.gov)