

# INSTALLATION DATA

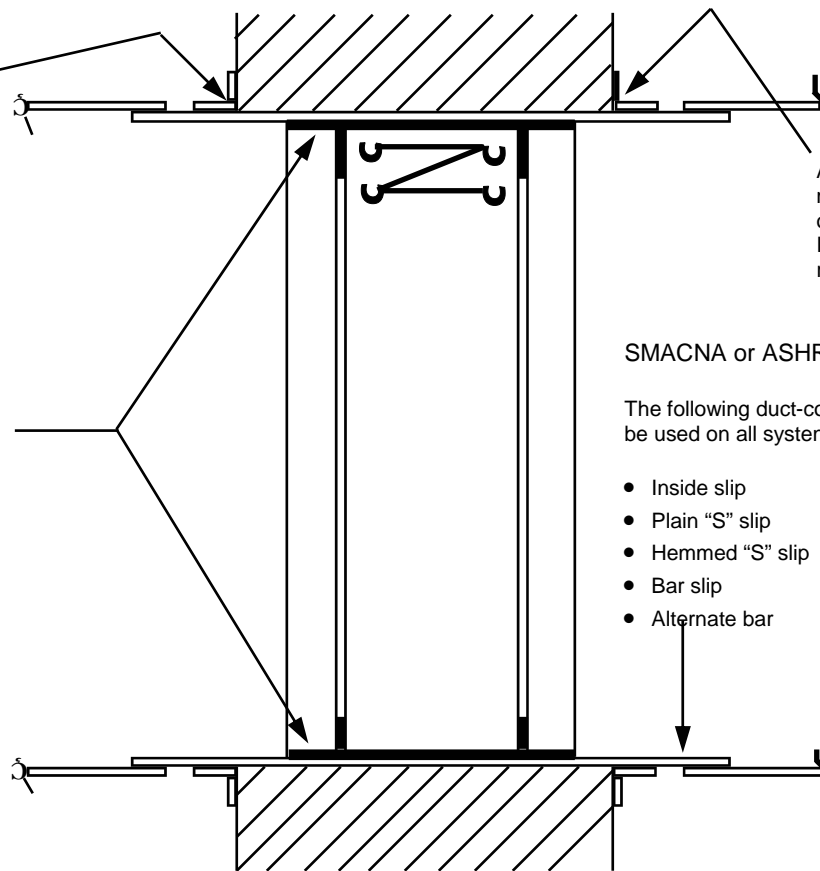
## BUCKLEY FIRE DAMPER

\*MODEL 150 TYPE "A"

Angles 1½" x 14 gauge typical. Fasten to sleeve with ¼" diameter nuts & bolts, #10 sheet metal screws, 3/16" steel pop rivets, or welding. All fastenings to be 8" on center, on all four sides, both sides.

Secure damper to sleeve with ¼" diameter nuts & bolts, #10 sheet metal screws, 3/16" steel pop rivets, or welding. All fastenings to be 8" on center, on all four sides, both sides.

**\*For use in Static Systems**



Angles must have minimum of 1" overlap on wall. Increase size if required.

SMACNA or ASHRAE duct standard

The following duct-collar connections may be used on all systems:

- Inside slip
- Plain "S" slip
- Hemmed "S" slip
- Bar slip
- Alternate bar
- Angle slip
- Double "S" slip
- Cup slip
- Drive slip
- Pocket slip

\*These instructions are for mounting the damper in a masonry or gypsum wallboard wall or partition, or a concrete floor.

\*Sleeve gauge shall be at least equal to the gauge of the duct as specified and described by SMACNA duct connections standard and NFPA 90A, when one or more of the above sleeve connections are used. If other duct sleeve connections are used the sleeve shall be minimum 16 gauge for dampers up to 36"W x 24"H and 14 gauge for dampers over 36" x 24"H.

\*Sleeves shall not extend beyond opening more than 6".

\*Connecting ducts shall not be continuous and must terminate at the sleeve.

\*Wall or floor opening clearance to be 1/8" per foot of damper size.

To maintain Buckley's policy of continuous improvement, we reserve the right to change prices, specifications, ratings or dimensions without notice or obligation. **Manufactured by Sheet Metal Union Local 17.**

**MANUFACTURED BY: Buckley Associates, Inc. HANOVER, MA**

Visit us on the World Wide Web at: <http://www.buckleyonline.com>

