

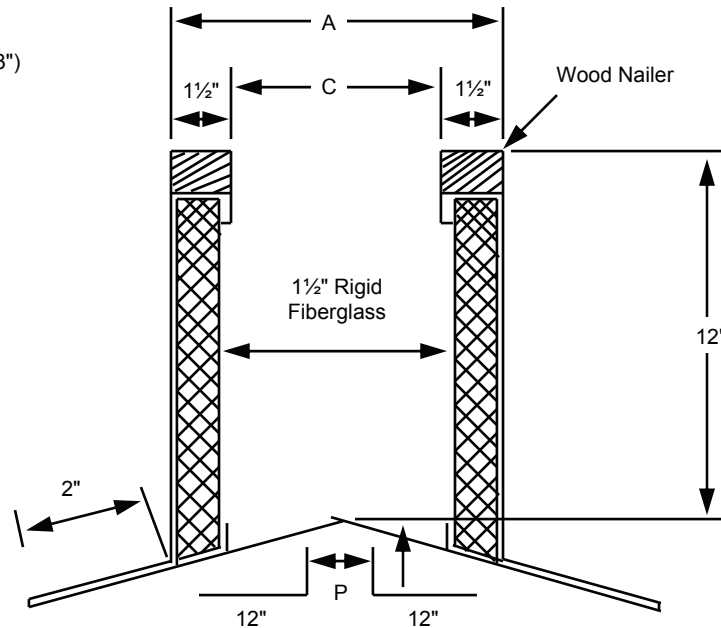
# SUBMITTAL DATA

## BUCKLEY ROOF CURBS

### DOUBLE PITCH PEAK ROOF CURB

#### MODEL BRC100-DP

A = Outside Dimension  
C = Inside Dimension (A-3")



#### **Standard Construction:**

- 18 Gauge Galvanized Steel
- Fully welded
- 1", 3 lb. Density rigid fiberglass insulation
- Standard height 12"
- Wood Nailer

#### **Options:**

- Various heights
- Various gauges of Galvanized Steel
- Aluminum construction .063
- Neoprene gasket
- Damper tray
- Burglar bars
- Liners

To maintain Buckley's policy of continuous improvement, we reserve the right to change prices, specifications, ratings or dimensions without notice or obligation. **Manufactured by Sheet Metal Union Local 17.**

**MANUFACTURED BY: Buckley Associates, Inc. HANOVER, MA**