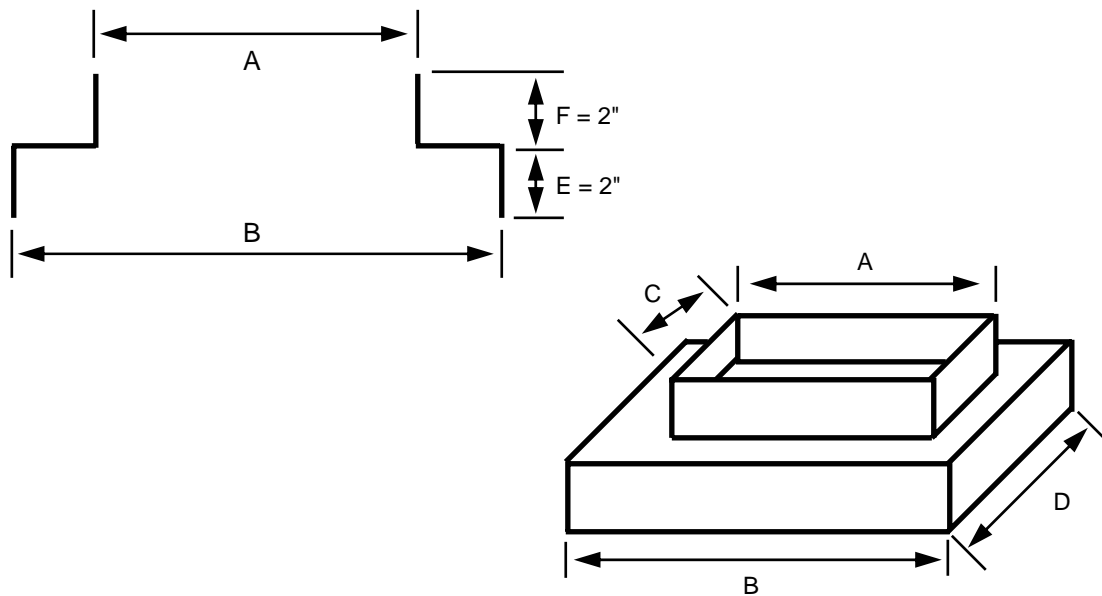


# SUBMITTAL DATA

## BUCKLEY CURB ADAPTERS

MODEL BCA-1000



### **Standard Construction:**

- 18 Gauge Galvanized Steel
- Welded Corners
- Standard height, E & F
- Welds coated with Galvanizing Compound
- A, B, C, & D = Stated size

### **Options:**

- Aluminum construction .063
- Various heights E and F
- Various gauges of Galvanized Steel

*To maintain Buckley's policy of continuous improvement, we reserve the right to change prices, specifications, ratings or dimensions without notice or obligation. Manufactured by Sheet Metal Union Local 17.*

**MANUFACTURED BY: Buckley Associates, Inc. HANOVER, MA**

Visit us on the World Wide Web at: <http://www.buckleyonline.com>

