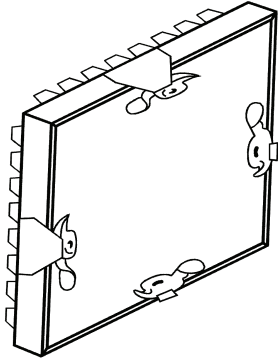


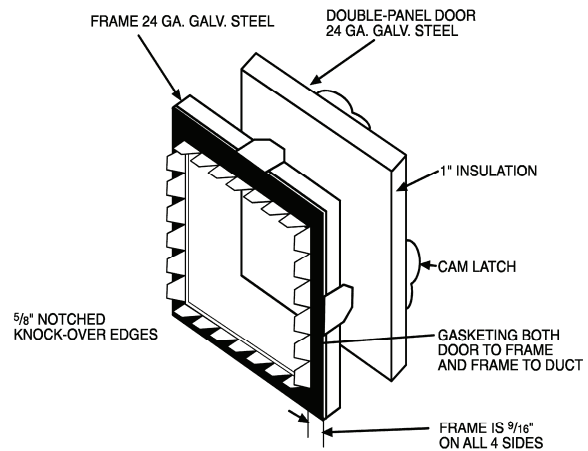
# SUBMITTAL DATA

## BUCKLEY ACCESS DOORS

Model C-10HP (High Pressure) 1" Thick



Up to 12 x 12 One Cam Each Side  
Over 12 x 12 Two Cams Each Side



### Standard Construction

- **Frame:** 24 Gauge Galvanized Steel.
- **Door Panel:** Up to 12" x 12" - 24 Gauge Galvanized Steel. Over 12" x 12" -22 Gauge Galvanized Steel.
- **Insulation:** 1" Thick Fiberglass.
- **Gasket:** .125 Neoprene.
- **Latches:** Zinc Plated. Up to 12" x 12" - One latch per side. Over 12" x 12" - Two latches per side.

### Dimensional Data

Size	Width (A)	Height (B)	Duct Opening
6 x 6	6 $\frac{1}{4}$	6 $\frac{1}{4}$	5 $\frac{1}{4}$ x 5 $\frac{1}{4}$
8 x 8	8 $\frac{1}{4}$	8 $\frac{1}{4}$	7 $\frac{1}{4}$ x 7 $\frac{1}{4}$
10 x 10	10 $\frac{1}{4}$	10 $\frac{1}{4}$	9 $\frac{1}{4}$ x 9 $\frac{1}{4}$
12 x 12	12 $\frac{1}{4}$	12 $\frac{1}{4}$	11 $\frac{1}{4}$ x 11 $\frac{1}{4}$
16 x 12	16 $\frac{1}{4}$	12 $\frac{1}{4}$	15 $\frac{1}{4}$ x 11 $\frac{1}{4}$
18 x 12	18 $\frac{1}{4}$	12 $\frac{1}{4}$	17 $\frac{1}{4}$ x 11 $\frac{1}{4}$
14 x 14	14 $\frac{1}{4}$	14 $\frac{1}{4}$	13 $\frac{1}{4}$ x 13 $\frac{1}{4}$
16 x 16	16 $\frac{1}{4}$	16 $\frac{1}{4}$	15 $\frac{1}{4}$ x 15 $\frac{1}{4}$
18 x 18	18 $\frac{1}{4}$	18 $\frac{1}{4}$	17 $\frac{1}{4}$ x 17 $\frac{1}{4}$
20 x 20	20 $\frac{1}{4}$	20 $\frac{1}{4}$	19 $\frac{1}{4}$ x 19 $\frac{1}{4}$
24 x 24	24	24	23 x 23

To maintain Buckley's policy of continuous improvement, we reserve the right to change prices, specifications, ratings or dimensions without notice or obligation. **Manufactured by Sheet Metal Union Local 17.**

**MANUFACTURED BY: Buckley Associates, Inc. HANOVER, MA**