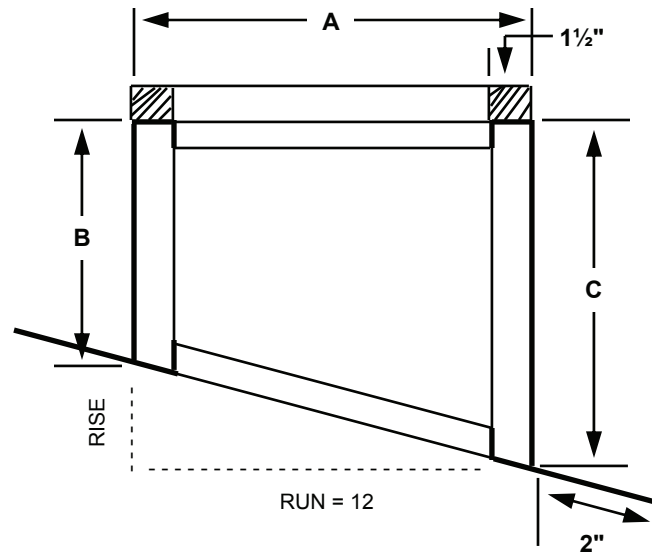


SUBMITTAL DATA

BUCKLEY ROOF CURBS

MODEL BRC-P100



Specification Notes:

- Wood Nailer
- Welded Shell & Base Plate
- 18 Gauge Galvanized Steel
- 1" thick, 3 lb. Rigid Fiberglass Insulation
- Internal angle reinforced
- Welds coated with Galvanized Compound
- A = stated size minus 1"
- 12" standard height - B

Options:

- Damper Tray
- Various heights & pitches
- Internal shells
- Various Base widths
- Aluminum construction .063

To order Pitched Curbs

The following information is required

- Specify the pitch
- Include roof rise and run (see diagram). This will be represented as a ratio (rise:run) with run always expressed as 12 units. Units must be of same measure (inches, feet, CM, etc.).

Example: A roof with a **Rise of 3"** and a **Run of 12"** - Pitch = **3:12**

- When specifying a rectangular curb, note whether it is pitched on the short or long side.

To maintain Buckley's policy of continuous improvement, we reserve the right to change prices, specifications, ratings or dimensions without notice or obligation. Manufactured by Sheet Metal Union Local 17.

MANUFACTURED BY: Buckley Associates, Inc. HANOVER, MA