

SUBMITTAL DATA

Specification Notes:

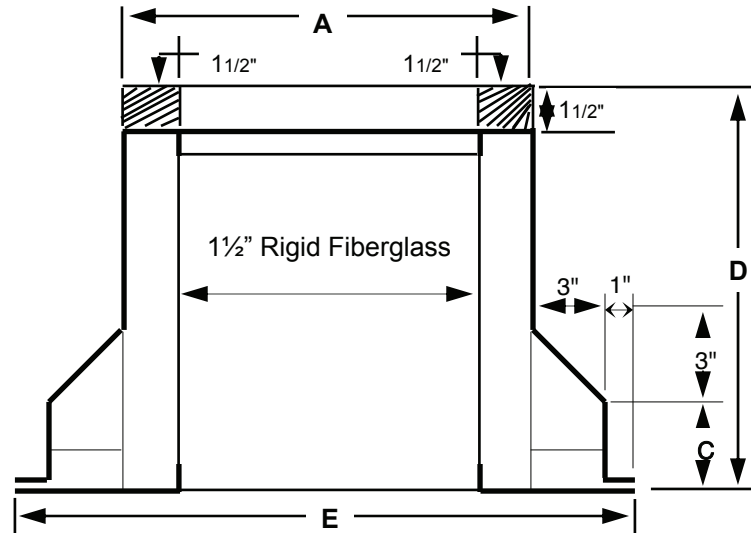
- Wood Nailer
- 18 Gauge Galvanized Steel
- Welded Shell and Base
- 1" thick, 3 lb. Rigid Fiberglass Insulation
- Welds coated with Galvanizing Compound
- D = 12" high standard
- C = must be specified

Options:

- Aluminum construction .063
- Pressure Treated Nailer
- Damper Tray
- Various heights - D
- Various step height - C
- Various Gauges of Galvanized Steel

BUCKLEY ROOF CURBS

MODEL BRC-200



Dimensional Data

CURB SIZE	OPT. TRAY SIZE	FAN CURB CAP	A	E	R.O.* SQ.
17	8	17	16	24	10½
19	10	19	18	26	12½
22	12	22	21	29	14½
24	14	24	23	31	16½
26	16	26	25	33	18½
30	18	30	29	37	20½
34	24	34	33	41	26½
40	30	40	39	47	32½
46	36	46	45	53	38½

Note: All dimensions are in units of inches.

Model BRC-200

Roof Curb shall be Model BRC-200 and shall be 12" in height. The shell and the base shall be welded. A 1" thick, 3 lb. Rigid Fiberglass Insulation shall be provided. The Curb shall be constructed of welded 18 Gauge Galvanized Steel (Aluminum optional).

To maintain Buckley's policy of continuous improvement, we reserve the right to change prices, specifications, ratings or dimensions without notice or obligation. **Manufactured by Sheet Metal Union Local 17.**

MANUFACTURED BY: Buckley Associates, Inc. HANOVER, MA