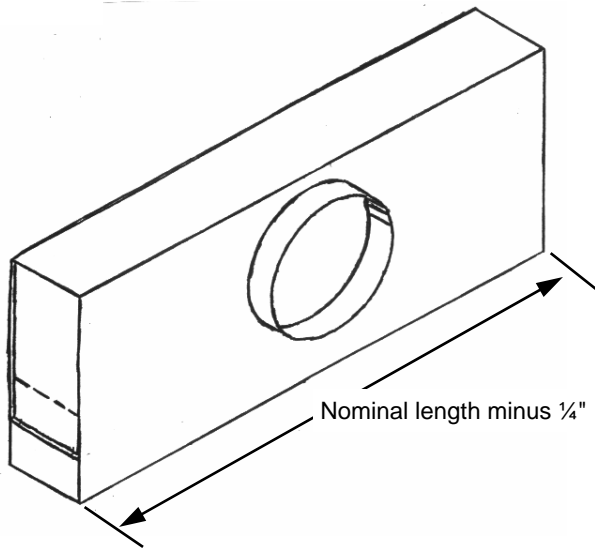


SUBMITTAL DATA

BUCKLEY SHORT DISTRIBUTION PLENUMS

MODEL SBDP

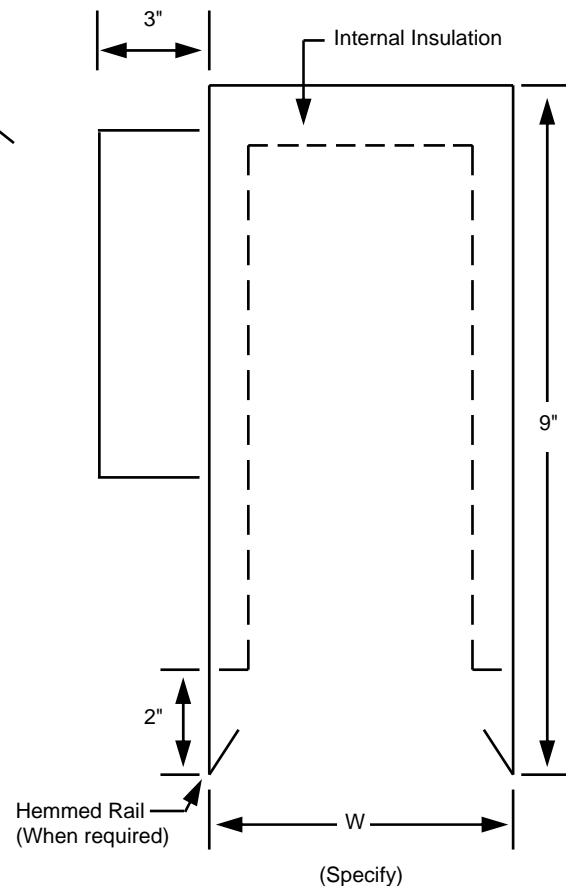


Standard Features:

- Material - 24 Gauge Galvanized Steel
- Lengths from 24 to 60 inches
- Widths to fit Diffusers with 1, 2, 3 or 4 slots
- Specify Diffuser Manufacturer, Model and Frame style.

Options:

- _____ SBDP-N (Non-Insulated)
- _____ SBDP-L (Insulated)
- _____ Nominal Length
- _____ Number of Slots
- _____ W Dimension (specify)
- _____ Inlet size
- _____ Hemmed
- _____ Non-Hemmed



Plenums are also available for special applications. Contact Factory.

Standard Industry tolerances apply. Specifications are subject to change without notice.

To maintain Buckley's policy of continuous improvement, we reserve the right to change prices, specifications, ratings or dimensions without notice or obligation. **Manufactured by Sheet Metal Union Local 17.**

MANUFACTURED BY: *Buckley Associates, Inc.* HANOVER, MA

Visit us on the World Wide Web at: <http://www.buckleyonline.com>

