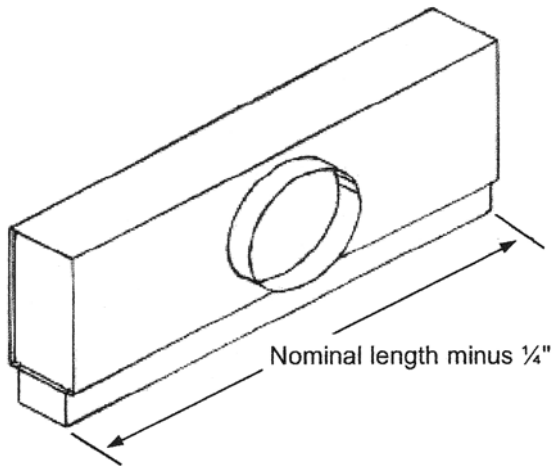


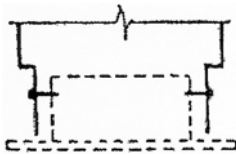
SUBMITTAL DATA

BUCKLEY DISTRIBUTION PLENUMS

MODEL BDP



- Screw Fastening** **Concealed Fastening**



Nominal Length 24" 36" 48" 60"

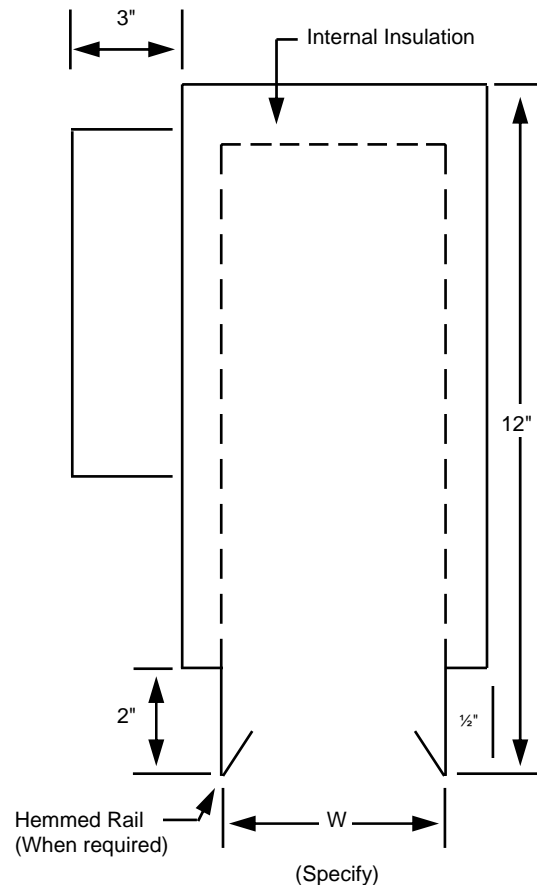
Inlet Size 4" 5" 6" 7"

8" 10" 12"

- Insulated** **Uninsulated**

Note:

- For 10" and 12" inlets, increase overall height by 3".
- Specify "W" dimension _____.
- Construction is 24 Gauge Galvanized Steel.
- Linear Diffusers, screws and mounting brackets by others.



Plenums are also available for special applications. Contact Factory.

Standard Industry tolerances apply. Specifications are subject to change without notice.

*To maintain Buckley's policy of continuous improvement, we reserve the right to change prices, specifications, ratings or dimensions without notice or obligation. **Manufactured by Sheet Metal Union Local 17.***

MANUFACTURED BY: Buckley Associates, Inc. HANOVER, MA

Visit us on the World Wide Web at: <http://www.buckleyonline.com/>

