

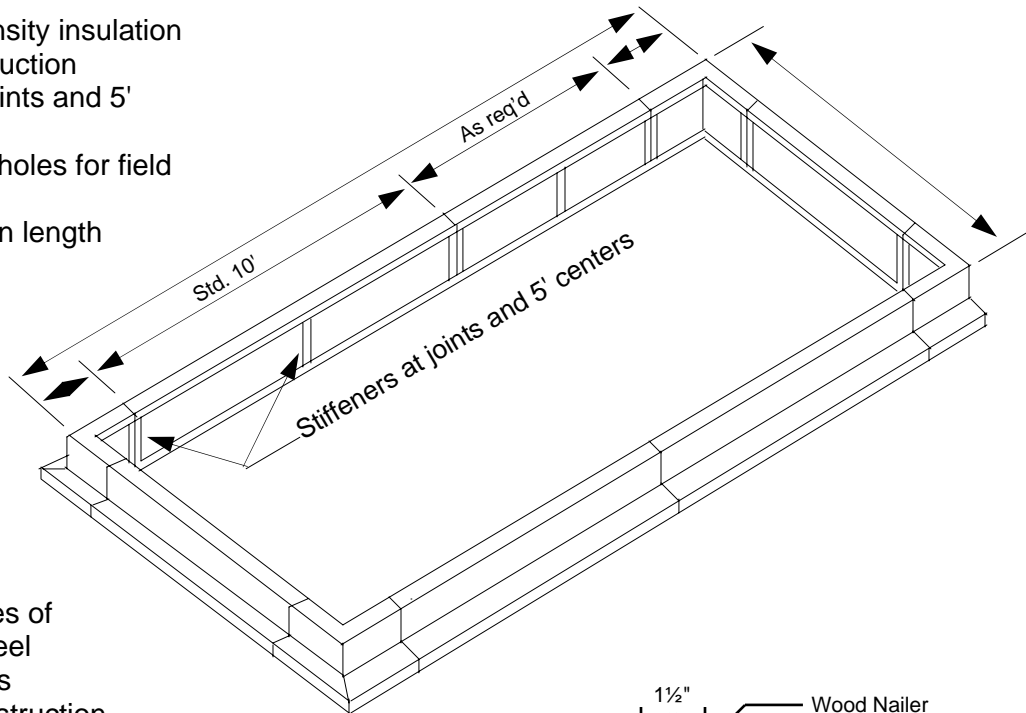
SUBMITTAL DATA

BUCKLEY PERIMETER CURB SUPPORT

MODEL BRC-300-PCS-A

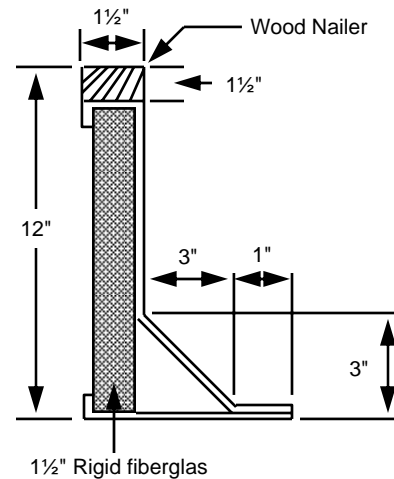
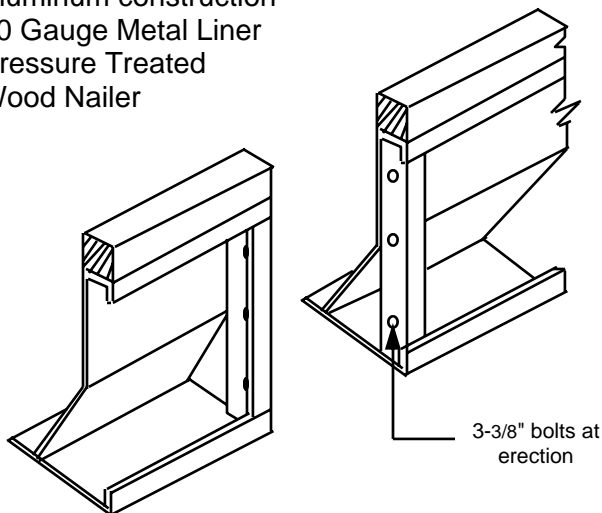
Features

- 14 Gauge Galvanized Steel
- 12" height
- 1.5" x 3 lb. density insulation
- Welded construction
- Stiffeners at joints and 5' centers
- Bolts and bolt holes for field erection
- 10' max section length



Options:

- Various Gauges of Galvanized Steel
- Various heights
- Aluminum construction
- 20 Gauge Metal Liner
- Pressure Treated Wood Nailer



To maintain Buckley's policy of continuous improvement, we reserve the right to change prices, specifications, ratings or dimensions without notice or obligation. **Manufactured by Sheet Metal Union Local 17.**

MANUFACTURED BY: Buckley Associates, Inc. HANOVER, MA

Visit us on the World Wide Web at: <http://www.buckleyonline.com>

