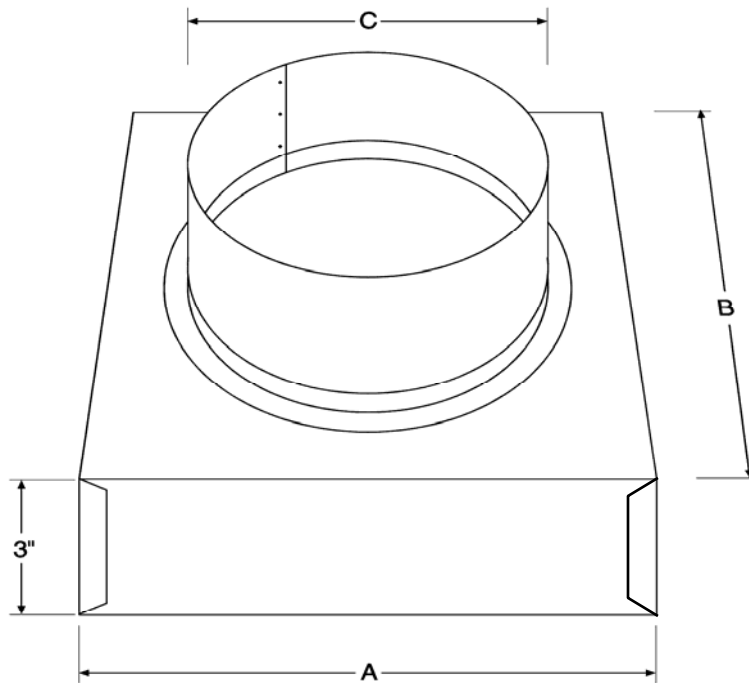


# SUBMITTAL DATA

## BUCKLEY TRANSITION

MODEL TR-3



A & B are specified sizes  
C = minus 1/8" from round diameter

### **Standard Construction**

- 26 Gauge Galvanized Steel
- Transition Height = 3"
- Collar Height = 3"
- Deeper Boxes

### **Options**

- Aluminum construction
- Various gauges of Galvanized Steel
- Collars with Dampers

*To maintain Buckley's policy of continuous improvement, we reserve the right to change prices, specifications, ratings or dimensions without notice or obligation. Manufactured by Sheet Metal Union Local 17.*

**MANUFACTURED BY: *Buckley Associates, Inc.* HANOVER, MA**