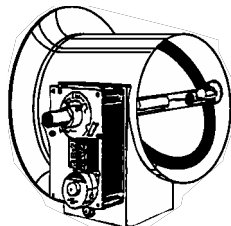


SUBMITTAL DATA

HEAVY DUTY BELLMOUTH FITTING

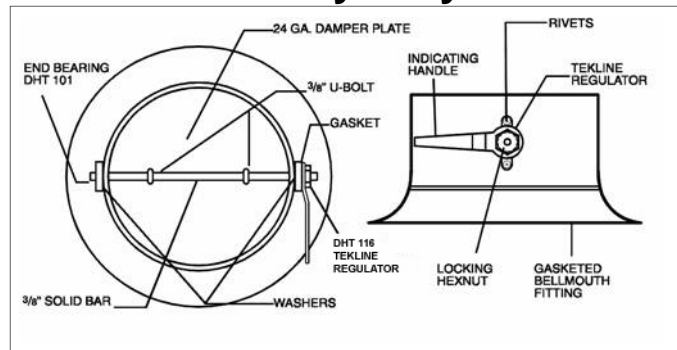
MODEL HD-BMD

BELLMOUTH WITH HEAVY DUTY REGULATORS DIRECT DRIVE NO LINKAGE OPERATION



HD/BMD Motorized

HD-BMD Heavy Duty Hardware

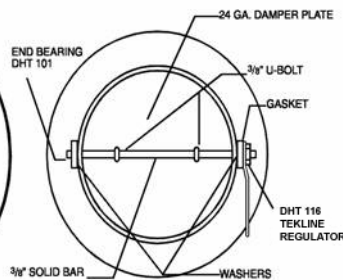
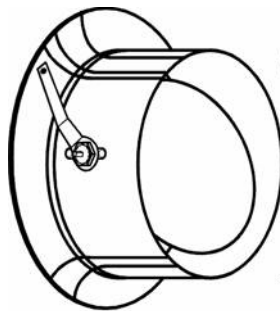


BELLMOUTH WITH HEAVY DUTY REGULATORS

Specification:

HD-BMD

Contractor shall provide Buckley Air-Tite Bellmouth Take-off manufactured by Buckley Air Products with heavy duty hardware. Material shall be galvanized steel G90, 24 ga. for Bellmouth, 24 ga. damper plate, and 26 ga. body. Bellmouth to include air-tite neoprene gasket. Pre-drilled holes are provided for quick mounting ensuring an air-tite connection

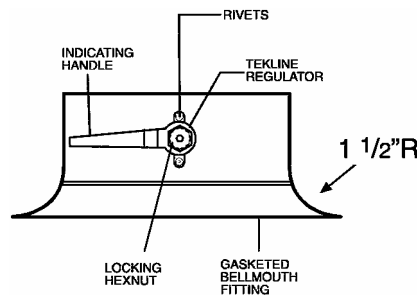


Options to Include:

- 22 or 20 ga. galvanized steel damper plates
- Bead on bellmouth fitting
- L stop for damper
- Closed end bearings and regulator handles Tekline DHT113 & DHT104
- Heavy gasket around damper blade plate to ensure an air-tite seal when closed

Heavy Duty Hardware to Include

- Tekline Regulator DHT116
- Locking hex-nut indicating handle gasket
- Tekline end bearing DHT100 gasket
- U-bolt damper clamp DH UB38 3/8" U-bolts and nuts
- 3/8" square shaft solid damper bar
- 24 ga. galvanized steel damper plate
- Regulator and end bearing riveted to body
- 1/2" washers



DIRECT DRIVE NO LEAKAGE

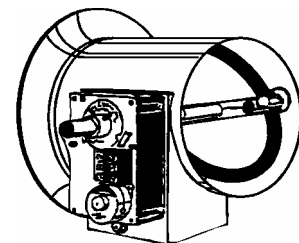
Specification: Model HDBMD/Motor

Contractor to supply Buckley bellmouth motorized damper 24V AC mfg. by BELIMO, model LM 24-T-1 or equal to operate gasketed damper blade that, when closed will maintain less than 2% leakage at 1" sp. Motor can be adjusted to any setting for closure.

Damper is closed at 45° and is in constant control when opening to fully open position. Fully open time from closed position will be 3½ minutes. Motor is a stall type operation.

Heavy duty hardware as detailed in HDBMD specification will be supplied.

In addition, a HD rubber gasket seal is used On the blade.



HD/BMD Motorized

To maintain Buckley's policy of continuous improvement, we reserve the right to change prices, specifications, ratings or dimensions without notice or obligation. **Manufactured by Sheet Metal Union Local 17.**

MANUFACTURED BY: Buckley Associates, Inc. HANOVER, MA

Visit us on the World Wide Web at: <http://www.buckleyonline.com>

