

Submittal Data

Model DCBTR-S Special Diffuser Connection Boot Transition

Application and Design

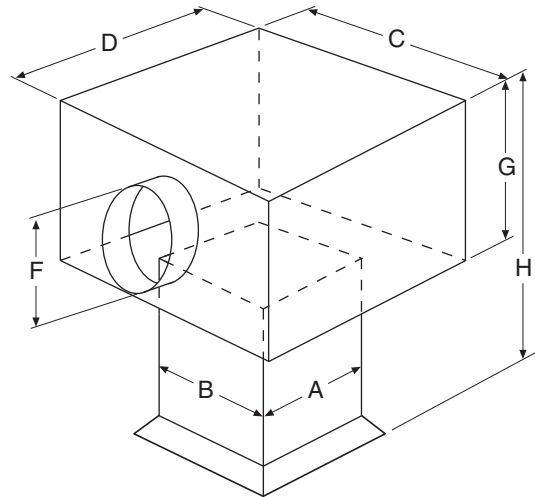
The model Buckley Diffuser Boot Transition model DCBTR-S is an oversized side take off transition and is designed to sit on top of a ceiling diffuser to provide for an easy transition to flexible duct. The DCBTR-S can be optionally outfitted with duct liner.

Standard Construction

- 26 Gauge Galvanized Steel

Options

- Different Gauge of Galvanized Steel or Aluminum Construction
- 1/2" Coated Fiberglass Liner
- 1/2" Closed Cell Foam Liner
- Custom Box Sizes



Models Available

Model	A	B	C	D	F	G	H
DCBTR-S6	6	6	8	8	6	8	2
DCBTR-S8	8	8	10	10	8	10	2
DCBTR-S9	9	9	11	11	8	10	2
DCBTR-S10	10	10	12	12	10	12	2
DCBTR-S12	12	12	14	14	12	14	2
DCBTR-S15	15	15	17	17	12	14	2
DCBTR-S18	18	18	20	20	12	14	2
DCBTR-S21	21	21	23	23	12	14	2
DCBTR-S22	22	22	24	24	12	14	2
DCBTR-S24	24	24	26	26	12	14	2

All dimensions are in inches.
Inlet Size must be denoted when ordering.

Buckley Associates, Inc.

Manufactured by Buckley Associates, Inc, Hanover, Massachusetts
Sheet Metal Union Local 17.

