

# Submittal Data

## Model DCBTR Diffuser Connection Boot Transition

### Application and Design

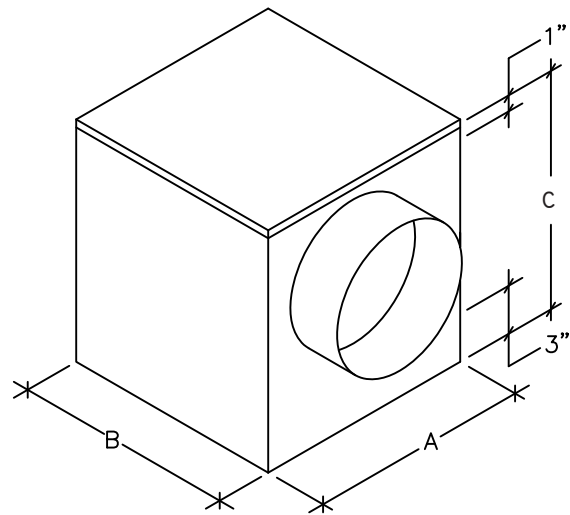
The model Buckley Diffuser Boot Transition model DCBTR is a side take off transition is designed to sit on top of a ceiling diffuser to provide for an easy transition to flexible duct. The DCBTR can be optionally outfitted with duct liner.

### Standard Construction

- 26 Gauge Galvanized Steel

### Options

- Different Gauge of Galvanized Steel or Aluminum Construction
- 1/2" Coated Fiberglass Liner
- 1/2" Closed Cell Foam Liner
- Oversized Inlet Collars
- Custom Box Sizes



### Models Available

Model	Dimensional Data			
	Inlet Size	A	B	C
DCBTR6	Up to 6"	6	6	10
DCBTR9	Up to 9"	9	9	13
DCBTR12	Up to 12"	12	12	16
DCBTR15	Up to 15"	15	15	Inlet + 4"
DCBTR18	Up to 18"	18	18	Inlet + 4"
DCBTR24	Up to 24"	24	24	Inlet + 4"

All dimensions are in inches.  
Inlet Size must be denoted when ordering.

*Buckley Associates, Inc.*

Manufactured by Buckley Associates, Inc, Hanover, Massachusetts  
Sheet Metal Union Local 17.

