

Submittal Data

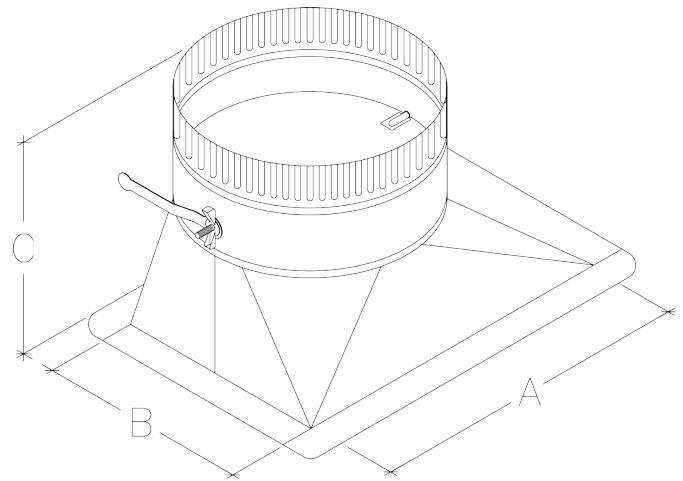
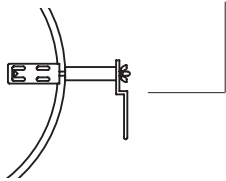
**Model 3300
45° Take Off Fitting**

Standard Construction

- 26 Gauge Galvanized Steel
- 1" Wide Flange with .125" Double Stick Neoprene Gasket

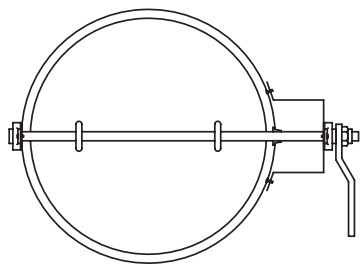
Models Available

3300.....No Damper
 3300D.....With Damper
 3300D-ISG.....With Damper and 2" Insulation Standoff Guard



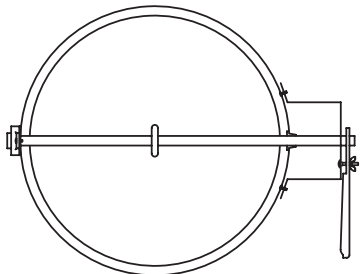
Heavy Duty Hardware Options

3300D-HD



- Heavy Duty Locking Handle
- Elevated Standoff Bracket
- 22ga Damper Blade
- 3/8" Square Bar
- Nylon Bearings

3300D-B01



- Locking Handle with Wing Nut
- Elevated Standoff Bracket
- 22ga Damper Blade
- 3/8" Square Bar
- Nylon Bearings

Dimensional Data

Diameter	A	B	C
4	7	4	10½
5	9	5	10½
6	9	5	10½
7	11	5	10½
8	12	6	11½
9	13	7	11½
10	14	8	11½
12	16	10	11½
14	18	12	12
16	20	14	13

All dimensions are in inches.

Buckley Associates, Inc.

Manufactured by Buckley Associates, Inc, Hanover, Massachusetts
 Sheet Metal Union Local 17.

3300
 September 2016 Revision 6

