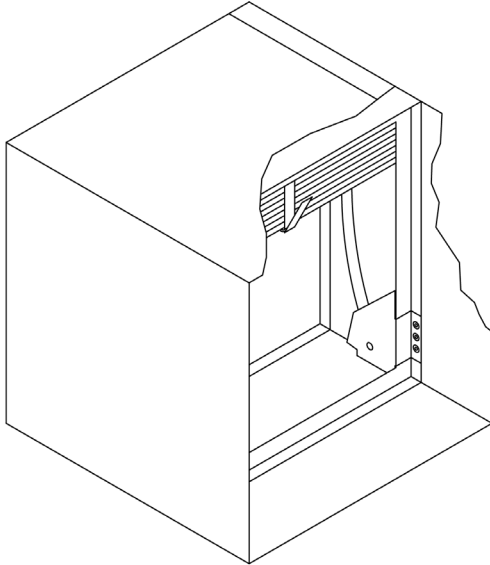
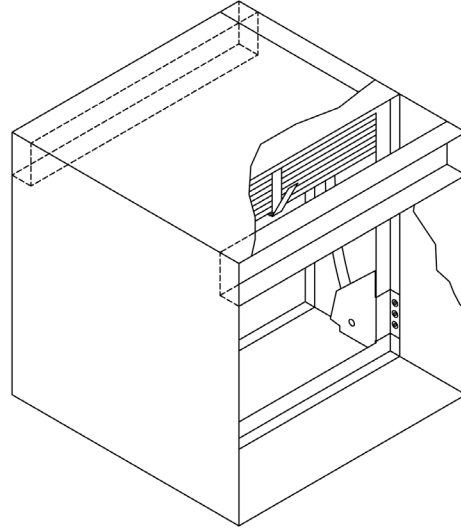


# Submittal Data

## Buckley Fire Damper with Sleeve Option



**Model 150A**



**Model 150B**

## Specification

### Standard Construction

- 22 Gauge Galvanized Steel
- One/Two Sections Based on Fire Damper Size
- Sleeve Tack Welded to Fire Damper
- Standard 16" length

### Sizes Available

- Maximum Sizes
  - Model 150A - 36x36
  - Model 150B - 36x32
- Available for use with Buckley Fire Dampers Models 150A and 150B

*Buckley Associates, Inc.*

*To maintain Buckley's policy of continuous improvement, we reserve the right to change prices, specifications, ratings, or dimensions without notice or obligation. Manufactured by Sheet Metal Union Local 17.*



Fire Damper with Sleeve Option

70302 R2